



| | |
|---------------------------------|--|
| Dimensional Class: | MEDIUM |
| Standard Color: | GREEN |
| Mated Connectors Height: | see page 190-191-192 |
| Versions: | Modular, Polarized |
| Single Mold Poles: | 2 and 3 (Modular) from 2 to 25 with combined housings (Polarized) |
| Metric Pitches: | .197 in (5 mm), .394 in (10 mm) |
| Imperial Pitches: | .200 in (5.08 mm), .400 in (10.16 mm) |

| | |
|-------------------------------------|--|
| Classe Dimensionale: | MEDIA |
| Colore Standard: | VERDE |
| Altezza Connettore Completo: | vedere pag. 192 |
| Versioni: | Modulare, Polarizzata |
| Vie Monolitiche: | 2 e 3 (Modulare) da 2 a 25 con corpi agganciati (Polarizzato) |
| Passi Metrici: | 5 mm, 10 mm |
| Passi in Pollici: | 5,08 mm, 10,16 mm |



CRM_0M1



CRM_0P5



CRM_0P6



CRM_0M2



CIM - SC1



CRM_9M1



CRM_9M5



CRM_9P6



CRM_9P1

The CRM connector Series for printed circuit boards can be polarized either by using COF-SP1 Polarization Pegs on the matched female and removing the corresponding contact pins, or by means of CIM-SC1 Coding Clips.

For further details please refer to page 186.

The CRM connector Series satisfies the user's mounting needs with the following possibilities:

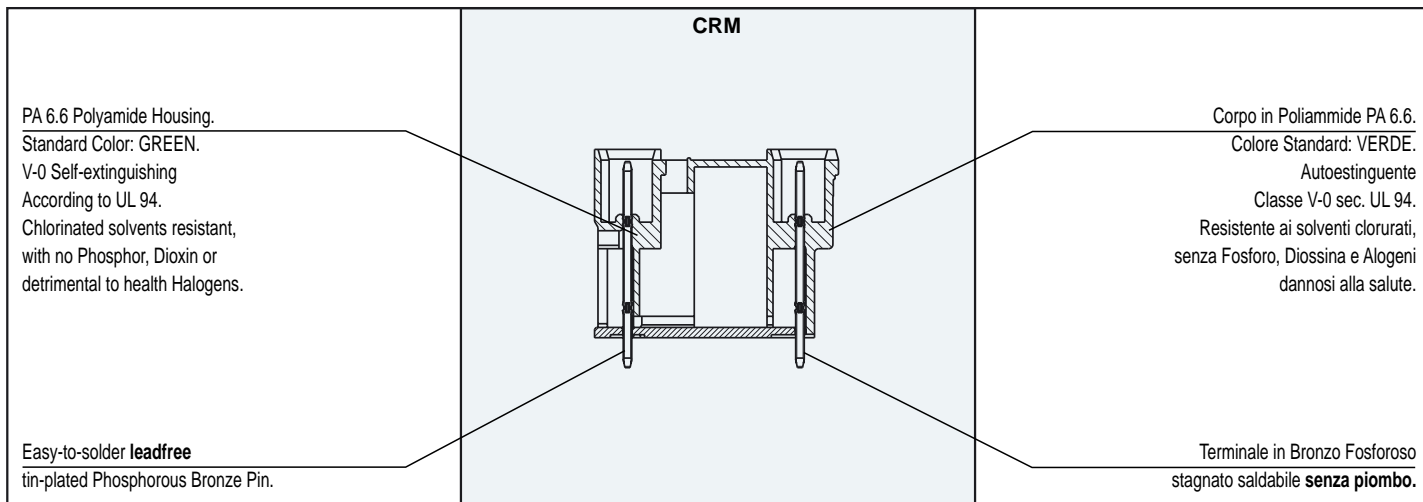
- mating with CIF, CVF and CCF female connectors;
- using individual single mold connectors from 2 to 3 poles;
- combining Modular connectors from 2 to 3 poles or use Polarized connectors from 2 to 25 poles side by side to obtain any number of poles;
- minimizing the stock by storing only selected connectors (ex. 2 - 3... 25 poles) to enable combinations as described above;
- using a custom Kit package to simplify the product management (part-number reduction), to minimize the stock, to improve the assembly and to reduce production errors.

Il connettore Serie CRM per circuiti stampati può essere polarizzato sia usando le Spine di Polarizzazione COF-SP1 sulla femmina accoppiata e togliendo dei contatti, sia con Staffe di Codifica CIM-SC1.

Per ulteriori dettagli consultare la pagina 186.

Il connettore Serie CRM soddisfa le esigenze di montaggio dell'utilizzatore; infatti è possibile:

- accoppiarlo con i connettori femmina CIF, CVF e CCF;
- utilizzare singolarmente i connettori monolitici da 2 a 3 vie;
- comporre i connettori Modulari da 2 a 3 vie oppure affiancare i connettori Polarizzati da 2 a 25 vie per ottenere qualsiasi numero di vie;
- gestire uno stoccaggio minimo di connettori (es. 2 - 3... 25 vie) per ottenere quanto sopra;
- utilizzare le confezioni Kit che permettono una semplificazione della gestione del prodotto (riduzione dei part-number), del magazzino, dell'assemblaggio, nonché una riduzione dei rischi d'errore.



PA 6.6 Polyamide Housing.
Standard Color: GREEN.
V-0 Self-extinguishing
According to UL 94.
Chlorinated solvents resistant,
with no Phosphor, Dioxin or
detrimental to health Halogens.

Easy-to-solder **leadfree**
tin-plated Phosphorous Bronze Pin.

CRM

Corpo in Poliammide PA 6.6.
Colore Standard: VERDE.
Autoestinguente
Classe V-0 sec. UL 94.
Resistente ai solventi clorurati,
senza Fosforo, Diossina e Alogeni
dannosi alla salute.

Terminale in Bronzo Fosforoso
stagnato saldabile **senza piombo**.

Mechanical Characteristics

| | |
|------------------------------|-------------------------------------|
| Insertion force per pole: | max. .674 lb (max. 3 N) |
| Withdrawal force per pole: | min. .337 lb (min. 1.5 N) |
| PCB thickness: | max. .094 in (max. 2.4 mm) |
| PCB holes diameter: | min. .055 in (min. 1.4 mm) |
| Operating temperature range: | -40 °F ÷ +230 °F (-40 °C ÷ +110 °C) |
| Climatic category: | 40/110/21 According to IEC 68-1 |

Electrical Characteristics

| | |
|------------------------|---|
| Rated voltage: | .197 in (5 mm) and .200 in (5.08 mm) pitch 300 V (UL, CSA)* .394 in (10 mm) and .400 in (10.16 mm) pitch 750 V (IMQ, VDE)* |
| Rated current: | 15 A (UL, CSA)* |
| Contact resistance: | <15 mΩ |
| Insulation resistance: | >10 ⁹ Ω (500V DC) |

*All the a.m. data refer to the highest values amongst the certificated ones (). **V** voltage, **I** current values and tightening torque are related to the norms to be applied to the product and to its use.

Caratteristiche Meccaniche

| | |
|--------------------------------------|----------------------------|
| Forza di inserzione per contatto: | max. 3 N |
| Forza di disinserzione per contatto: | min. 1,5 N |
| Spessore circuito stampato: | max. 2,4 mm |
| Diametro fori circuito stampato: | min. 1,4 mm |
| Temperature di funzionamento: | -40 °C ÷ +110 °C |
| Categoria climatica: | 40/110/21 Secondo IEC 68-1 |

Caratteristiche Elettriche

| | |
|---------------------------|---|
| Tensione nominale: | passo 5 mm e 5,08 mm 300 V (UL, CSA)* passo 10 mm e 10,16 mm 750 V (IMQ, VDE)* |
| Corrente nominale: | 15 A (UL, CSA)* |
| Resistenza di contatto: | <15 mΩ |
| Resistenza di isolamento: | >10 ⁹ Ω (500V CC) |

*Per ogni caratteristica, i dati riportati si riferiscono ai massimi valori fra quelli certificati (). I valori di tensione **V** corrente **I** e, coppia di serraggio sono legati alle norme applicabili al prodotto ed al tipo di utilizzo.

Approvals

(see also "Certifications", page 22)



| | |
|----------------------------|--|
| VDE: | Reg. N. 112754 ÜG 250 V - 12 A - T 75 for 5 mm and 5.08 mm pitch 750 V - 12 A - T 75 for 10 mm and 10.16 mm pitch |
| IMQ: ESS: | Certificate with Surveillance IMQ CSv EM672 250 V - 12 A - T 110 - 1.5 mm ² for 5 mm and 5.08 mm pitch 750 V - 12 A - T 110 - 1.5 mm ² for 10 mm and 10.16 mm pitch |
| CSA: | File LR 102896-2 300 V - 15 A for 5 mm and 5.08 mm pitch 600 V - 15 A for 10 mm and 10.16 mm pitch |

UL: Pending
300 V - 15 A for 5 mm, 5.08 mm, 10 mm and 10.16 mm pitch
Application values for end-use equipment have to be in accordance to UL norms and applicable to it.

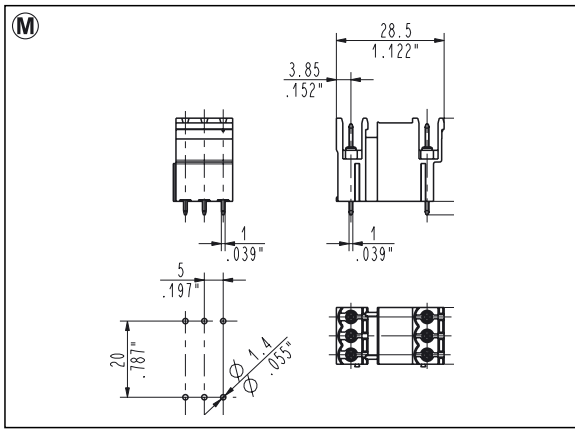


Certificazioni

(vedi anche "Certificazioni", pag. 22)

| | |
|----------------------------|---|
| VDE: | Reg. N. 112754 ÜG 250 V - 12 A - T 75 per passo 5 mm e 5,08 mm 750 V - 12 A - T 75 per passo 10 mm e 10,16 mm |
| IMQ: ESS: | Certificato con Sorveglianza IMQ CSv EM672 250 V - 12 A - T 110 - 1,5 mm ² per passo 5 mm e 5,08 mm 750 V - 12 A - T 110 - 1,5 mm ² per passo 10 mm e 10,16 mm |
| CSA: | File LR 102896-2 300 V - 15 A per passo 5 mm e 5,08 mm 600 V - 15 A per passo 10 mm e 10,16 mm |

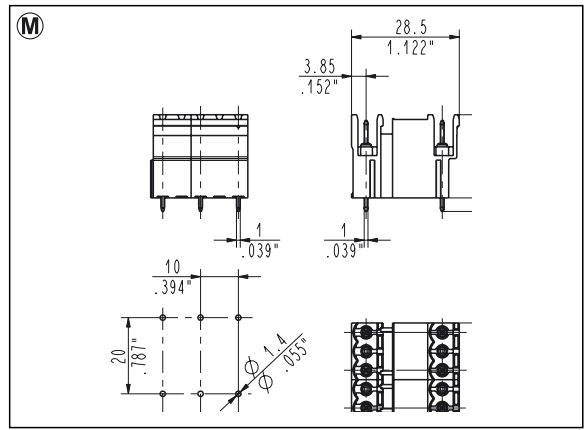
UL: Pending
300 V - 15 A per passo 5 mm, 5,08 mm, 10 mm e 10,16 mm
I valori d'utilizzo per l'apparecchiatura finale devono essere conformi alle norme UL ad essa applicabili.



CRM_0M1 Straight, Modular Male
5 mm / .197" Pitch Weight per pole: 0.93 g

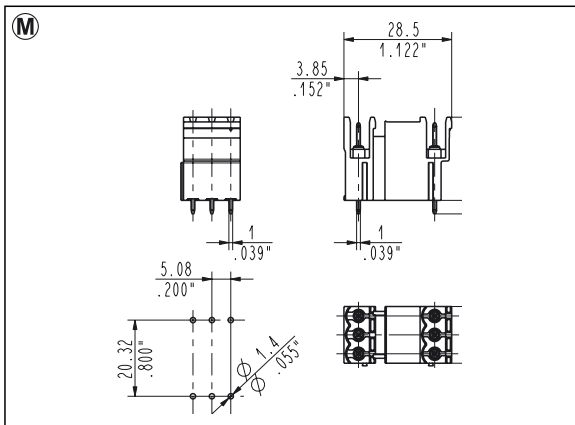
| Poles | STD Code | L [mm] | L [inch] | Pcs/pack. | W [kg] |
|-------|----------|--------|----------|-----------|--------|
| 02 | CRM020M1 | 5.00 | 0.197 | 225 | 0.84 |
| 03 | CRM030M1 | 10.00 | 0.394 | 150 | 0.84 |

More poles are obtainable by combining modular connectors of 2 and 3 poles



CRM_0M2 Straight, Modular Male
10 mm / .394" Pitch Weight per pole: 1.25 g

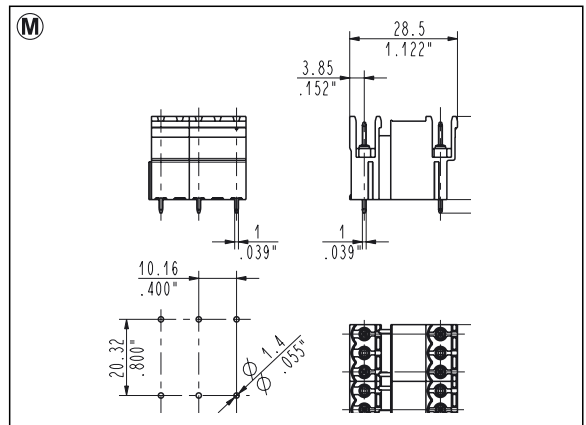
| Poles | STD Code | L [mm] | L [inch] | Pcs/pack. | W [kg] |
|-------|----------|--------|----------|-----------|--------|
| 02 | CRM020M2 | 10.00 | 0.394 | 150 | 0.75 |
| 03 | CRM030M2 | 20.00 | 0.787 | 120 | 0.94 |
| 04 | CRM040M2 | 30.00 | 1.181 | 80 | 0.75 |
| 05 | CRM050M2 | 40.00 | 1.575 | 60 | 0.75 |
| 06 | CRM060M2 | 50.00 | 1.969 | 60 | 0.90 |
| 07 | CRM070M2 | 60.00 | 2.362 | 40 | 0.70 |
| 08 | CRM080M2 | 70.00 | 2.756 | 40 | 0.80 |
| 09 | CRM090M2 | 80.00 | 3.150 | 40 | 0.90 |
| 10 | CRM100M2 | 90.00 | 3.543 | 30 | 0.75 |
| 11 | CRM110M2 | 100.00 | 3.937 | 30 | 0.82 |
| 12 | CRM120M2 | 110.00 | 4.331 | 30 | 0.90 |
| 13 | CRM130M2 | 120.00 | 4.724 | 20 | 0.65 |



CRM_0M5 Straight, Modular Male
5.08 mm / .200" Pitch Weight per pole: 0.94 g

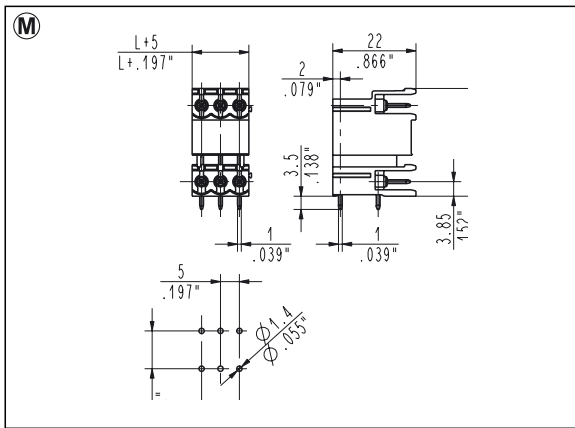
| Poles | STD Code | L [mm] | L [inch] | Pcs/pack. | W [kg] |
|-------|----------|--------|----------|-----------|--------|
| 02 | CRM020M5 | 5.08 | 0.200 | 225 | 0.84 |
| 03 | CRM030M5 | 10.16 | 0.400 | 150 | 0.84 |

More poles are obtainable by combining modular connectors of 2 and 3 poles



CRM_0M6 Straight, Modular Male
10.16 mm / .400" Pitch Weight per pole: 1.25 g

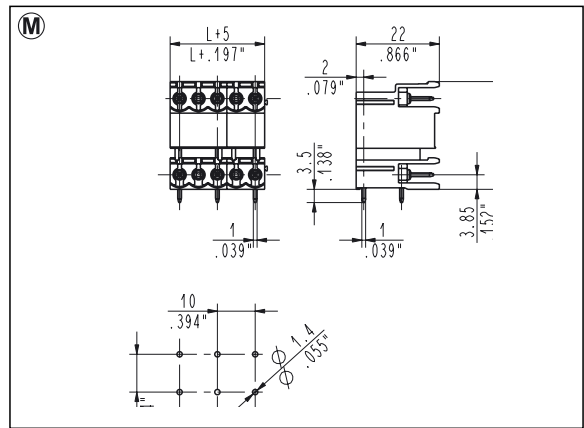
| Poles | STD Code | L [mm] | L [inch] | Pcs/pack. | W [kg] |
|-------|----------|--------|----------|-----------|--------|
| 02 | CRM020M6 | 10.16 | 0.400 | 150 | 0.75 |
| 03 | CRM030M6 | 20.32 | 0.800 | 120 | 0.94 |
| 04 | CRM040M6 | 30.48 | 1.200 | 80 | 0.75 |
| 05 | CRM050M6 | 40.64 | 1.600 | 60 | 0.75 |
| 06 | CRM060M6 | 50.80 | 2.000 | 60 | 0.90 |
| 07 | CRM070M6 | 60.96 | 2.400 | 40 | 0.70 |
| 08 | CRM080M6 | 71.12 | 2.800 | 40 | 0.80 |
| 09 | CRM090M6 | 81.28 | 3.200 | 40 | 0.90 |
| 10 | CRM100M6 | 91.44 | 3.600 | 30 | 0.75 |
| 11 | CRM110M6 | 101.60 | 4.000 | 30 | 0.82 |
| 12 | CRM120M6 | 111.76 | 4.400 | 30 | 0.90 |
| 13 | CRM130M6 | 121.92 | 4.800 | 20 | 0.65 |



CRM_9M1 90°, Modular Male
5 mm / .197" Pitch Weight per pole: 0.94 g

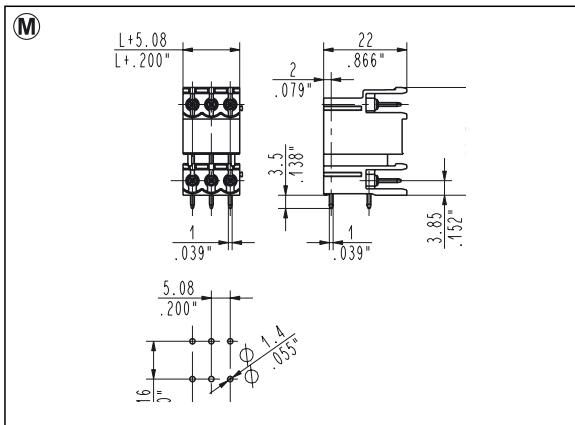
| Poles | STD Code | L [mm] | L [inch] | Pcs/pack. | W [kg] |
|-------|----------|--------|----------|-----------|--------|
| 02 | CRM029M1 | 5.00 | 0.197 | 225 | 0.84 |
| 03 | CRM039M1 | 10.00 | 0.394 | 150 | 0.84 |

More poles are obtainable by combining modular connectors of 2 and 3 poles



CRM_9M2 90°, Modular Male
10 mm / .394" Pitch Weight per pole: 1.25 g

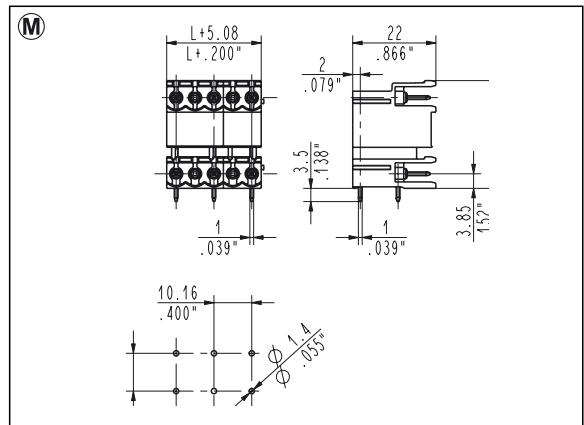
| Poles | STD Code | L [mm] | L [inch] | Pcs/pack. | W [kg] |
|-------|----------|--------|----------|-----------|--------|
| 02 | CRM029M2 | 10.00 | 0.394 | 150 | 0.75 |
| 03 | CRM039M2 | 20.00 | 0.787 | 120 | 0.94 |
| 04 | CRM049M2 | 30.00 | 1.181 | 80 | 0.75 |
| 05 | CRM059M2 | 40.00 | 1.575 | 60 | 0.75 |
| 06 | CRM069M2 | 50.00 | 1.969 | 60 | 0.90 |
| 07 | CRM079M2 | 60.00 | 2.362 | 40 | 0.70 |
| 08 | CRM089M2 | 70.00 | 2.756 | 40 | 0.80 |
| 09 | CRM099M2 | 80.00 | 3.150 | 40 | 0.90 |
| 10 | CRM109M2 | 90.00 | 3.543 | 30 | 0.75 |
| 11 | CRM119M2 | 100.00 | 3.937 | 30 | 0.82 |
| 12 | CRM129M2 | 110.00 | 4.331 | 30 | 0.90 |
| 13 | CRM139M2 | 120.00 | 4.724 | 20 | 0.65 |



CRM_9M5 90°, Modular Male
5.08 mm / .200" Pitch Weight per pole: 0.94 g

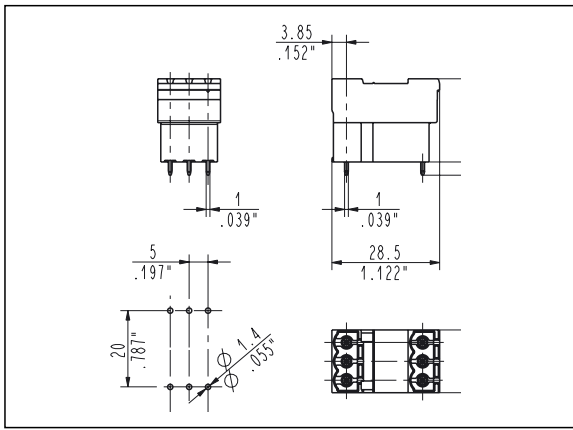
| Poles | STD Code | L [mm] | L [inch] | Pcs/pack. | W [kg] |
|-------|----------|--------|----------|-----------|--------|
| 02 | CRM029M5 | 5.08 | 0.200 | 225 | 0.84 |
| 03 | CRM039M5 | 10.16 | 0.400 | 150 | 0.84 |

More poles are obtainable by combining modular connectors of 2 and 3 poles



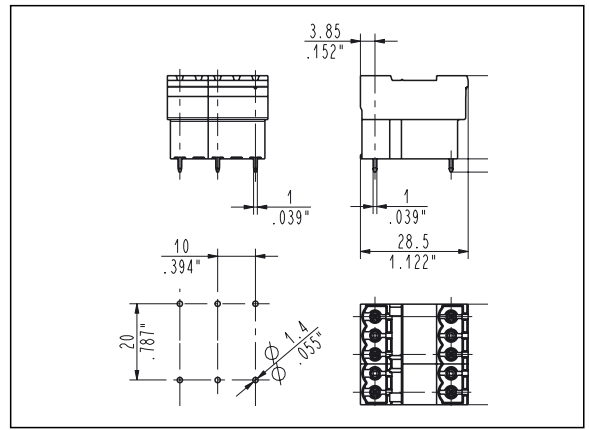
CRM_9M6 90°, Modular Male
10.16 mm / .400" Pitch Weight per pole: 1.25 g

| Poles | STD Code | L [mm] | L [inch] | Pcs/pack. | W [kg] |
|-------|----------|--------|----------|-----------|--------|
| 02 | CRM029M6 | 10.16 | 0.400 | 150 | 0.75 |
| 03 | CRM039M6 | 20.32 | 0.800 | 120 | 0.94 |
| 04 | CRM049M6 | 30.48 | 1.200 | 80 | 0.75 |
| 05 | CRM059M6 | 40.64 | 1.600 | 60 | 0.75 |
| 06 | CRM069M6 | 50.80 | 2.000 | 60 | 0.90 |
| 07 | CRM079M6 | 60.96 | 2.400 | 40 | 0.70 |
| 08 | CRM089M6 | 71.12 | 2.800 | 40 | 0.80 |
| 09 | CRM099M6 | 81.28 | 3.200 | 40 | 0.90 |
| 10 | CRM109M6 | 91.44 | 3.600 | 30 | 0.75 |
| 11 | CRM119M6 | 101.60 | 4.000 | 30 | 0.82 |
| 12 | CRM129M6 | 111.76 | 4.400 | 30 | 0.90 |
| 13 | CRM139M6 | 121.92 | 4.800 | 20 | 0.65 |



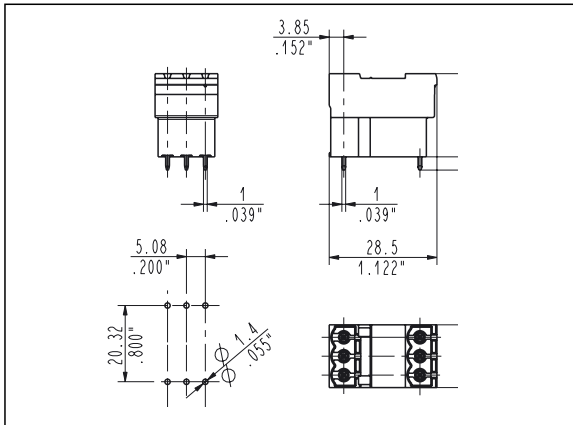
CRM_0P1 Straight, Polarized Male
5 mm / .197" Pitch Weight per pole: 0.99 g

| Poles | STD Code | L [mm] | L [inch] | Pcs/pack. | W [kg] |
|-------|----------|--------|----------|-----------|--------|
| 02 | CRM020P1 | 5.00 | 0.197 | 225 | 0.89 |
| 03 | CRM030P1 | 10.00 | 0.394 | 150 | 0.89 |
| 04 | CRM040P1 | 15.00 | 0.591 | 150 | 1.19 |
| 05 | CRM050P1 | 20.00 | 0.787 | 120 | 1.24 |
| 06 | CRM060P1 | 25.00 | 0.984 | 100 | 1.19 |
| 07 | CRM070P1 | 30.00 | 1.181 | 80 | 1.04 |
| 08 | CRM080P1 | 35.00 | 1.378 | 80 | 1.19 |
| 09 | CRM090P1 | 40.00 | 1.575 | 60 | 1.07 |
| 10 | CRM100P1 | 45.00 | 1.772 | 60 | 1.19 |
| 11 | CRM110P1 | 50.00 | 1.969 | 60 | 1.30 |
| 12 | CRM120P1 | 55.00 | 2.165 | 40 | 0.95 |
| 13 | CRM130P1 | 60.00 | 2.362 | 40 | 1.03 |
| 14 | CRM140P1 | 65.00 | 2.559 | 40 | 1.11 |
| 15 | CRM150P1 | 70.00 | 2.756 | 40 | 1.19 |
| 16 | CRM160P1 | 75.00 | 2.953 | 40 | 1.26 |
| 17 | CRM170P1 | 80.00 | 3.150 | 40 | 1.34 |
| 18 | CRM180P1 | 85.00 | 3.346 | 30 | 1.07 |
| 19 | CRM190P1 | 90.00 | 3.543 | 30 | 1.13 |
| 20 | CRM200P1 | 95.00 | 3.740 | 30 | 1.19 |
| 21 | CRM210P1 | 100.00 | 3.937 | 30 | 1.24 |
| 22 | CRM220P1 | 105.00 | 4.134 | 30 | 1.30 |
| 23 | CRM230P1 | 110.00 | 4.331 | 30 | 1.36 |
| 24 | CRM240P1 | 115.00 | 4.528 | 30 | 1.42 |
| 25 | CRM250P1 | 120.00 | 4.724 | 20 | 0.99 |



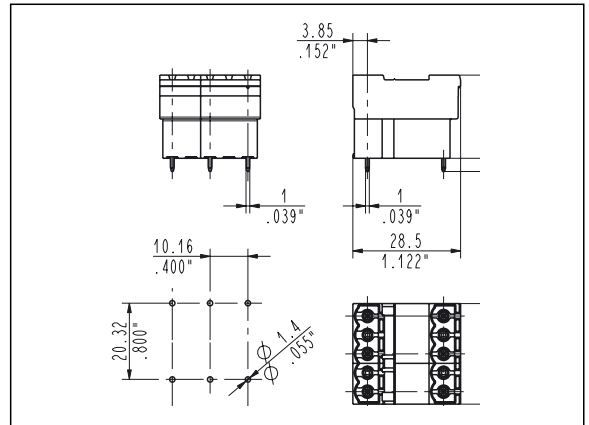
CRM_0P2 Straight, Polarized Male
10 mm / .394" Pitch Weight per pole: 1.35 g

| Poles | STD Code | L [mm] | L [inch] | Pcs/pack. | W [kg] |
|-------|----------|--------|----------|-----------|--------|
| 02 | CRM020P2 | 10.00 | 0.394 | 150 | 0.81 |
| 03 | CRM030P2 | 20.00 | 0.787 | 120 | 1.01 |
| 04 | CRM040P2 | 30.00 | 1.181 | 80 | 0.81 |
| 05 | CRM050P2 | 40.00 | 1.575 | 60 | 0.81 |
| 06 | CRM060P2 | 50.00 | 1.969 | 60 | 0.97 |
| 07 | CRM070P2 | 60.00 | 2.362 | 40 | 0.76 |
| 08 | CRM080P2 | 70.00 | 2.756 | 40 | 0.87 |
| 09 | CRM090P2 | 80.00 | 3.150 | 40 | 0.97 |
| 10 | CRM100P2 | 90.00 | 3.543 | 30 | 0.81 |
| 11 | CRM110P2 | 100.00 | 3.937 | 30 | 0.89 |
| 12 | CRM120P2 | 110.00 | 4.331 | 30 | 0.97 |
| 13 | CRM130P2 | 120.00 | 4.724 | 20 | 0.70 |



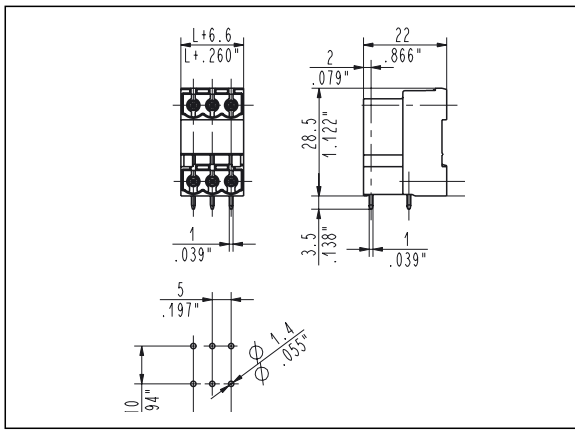
CRM_0P5 Straight, Polarized Male
5.08 mm / .200" Pitch Weight per pole: 0.99 g

| Poles | STD Code | L [mm] | L [inch] | Pcs/pack. | W [kg] |
|-------|----------|--------|----------|-----------|--------|
| 02 | CRM020P5 | 5.08 | 0.200 | 225 | 0.89 |
| 03 | CRM030P5 | 10.16 | 0.400 | 150 | 0.89 |
| 04 | CRM040P5 | 15.24 | 0.600 | 150 | 1.19 |
| 05 | CRM050P5 | 20.32 | 0.800 | 120 | 1.24 |
| 06 | CRM060P5 | 25.40 | 1.000 | 100 | 1.19 |
| 07 | CRM070P5 | 30.48 | 1.200 | 80 | 1.04 |
| 08 | CRM080P5 | 35.56 | 1.400 | 80 | 1.19 |
| 09 | CRM090P5 | 40.64 | 1.600 | 60 | 1.07 |
| 10 | CRM100P5 | 45.72 | 1.800 | 60 | 1.19 |
| 11 | CRM110P5 | 50.80 | 2.000 | 60 | 1.30 |
| 12 | CRM120P5 | 55.88 | 2.200 | 40 | 0.95 |
| 13 | CRM130P5 | 60.96 | 2.400 | 40 | 1.03 |
| 14 | CRM140P5 | 66.04 | 2.600 | 40 | 1.11 |
| 15 | CRM150P5 | 71.12 | 2.800 | 40 | 1.19 |
| 16 | CRM160P5 | 76.20 | 3.000 | 40 | 1.26 |
| 17 | CRM170P5 | 81.28 | 3.200 | 40 | 1.34 |
| 18 | CRM180P5 | 86.36 | 3.400 | 30 | 1.07 |
| 19 | CRM190P5 | 91.44 | 3.600 | 30 | 1.13 |
| 20 | CRM200P5 | 96.52 | 3.800 | 30 | 1.19 |
| 21 | CRM210P5 | 101.60 | 4.000 | 30 | 1.24 |
| 22 | CRM220P5 | 106.68 | 4.200 | 30 | 1.30 |
| 23 | CRM230P5 | 111.76 | 4.400 | 30 | 1.36 |
| 24 | CRM240P5 | 116.84 | 4.600 | 30 | 1.42 |
| 25 | CRM250P5 | 121.92 | 4.800 | 20 | 0.99 |



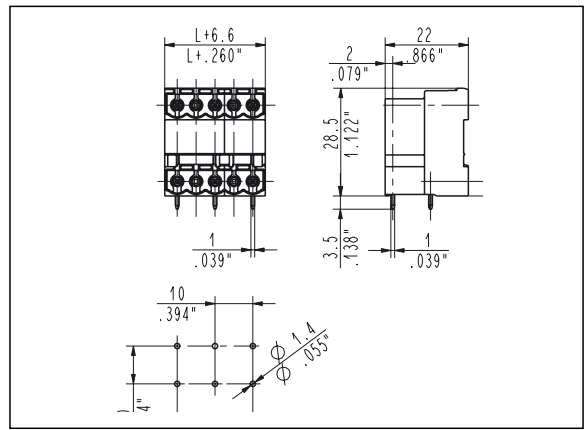
CRM_0P6 Straight, Polarized Male
10.16 mm / .400" Pitch Weight per pole: 1.35 g

| Poles | STD Code | L [mm] | L [inch] | Pcs/pack. | W [kg] |
|-------|----------|--------|----------|-----------|--------|
| 02 | CRM020P6 | 10.16 | 0.400 | 150 | 0.81 |
| 03 | CRM030P6 | 20.32 | 0.800 | 120 | 1.01 |
| 04 | CRM040P6 | 30.48 | 1.200 | 80 | 0.81 |
| 05 | CRM050P6 | 40.64 | 1.600 | 60 | 0.81 |
| 06 | CRM060P6 | 50.80 | 2.000 | 60 | 0.97 |
| 07 | CRM070P6 | 60.96 | 2.400 | 40 | 0.76 |
| 08 | CRM080P6 | 71.12 | 2.800 | 40 | 0.87 |
| 09 | CRM090P6 | 81.28 | 3.200 | 40 | 0.97 |
| 10 | CRM100P6 | 91.44 | 3.600 | 30 | 0.81 |
| 11 | CRM110P6 | 101.60 | 4.000 | 30 | 0.89 |
| 12 | CRM120P6 | 111.76 | 4.400 | 30 | 0.97 |
| 13 | CRM130P6 | 121.92 | 4.800 | 20 | 0.70 |



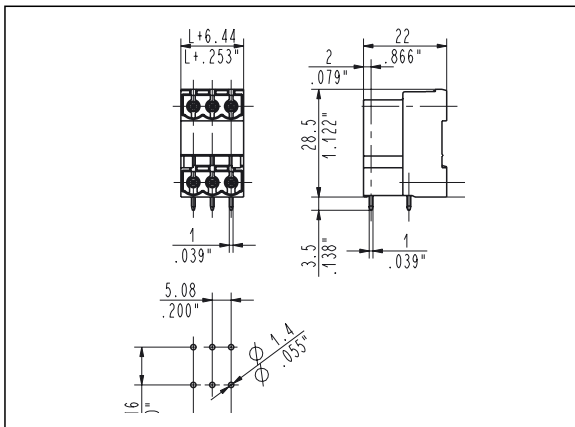
CRM_9P1 90°, Polarized Male
5 mm / .197" Pitch Weight per pole: 0.99 g

| Poles | STD Code | L [mm] | L [inch] | Pcs/pack. | W [kg] |
|-------|----------|--------|----------|-----------|--------|
| 02 | CRM029P1 | 5.00 | 0.197 | 225 | 0.89 |
| 03 | CRM039P1 | 10.00 | 0.394 | 150 | 0.89 |
| 04 | CRM049P1 | 15.00 | 0.591 | 150 | 1.19 |
| 05 | CRM059P1 | 20.00 | 0.787 | 120 | 1.24 |
| 06 | CRM069P1 | 25.00 | 0.984 | 100 | 1.19 |
| 07 | CRM079P1 | 30.00 | 1.181 | 80 | 1.04 |
| 08 | CRM089P1 | 35.00 | 1.378 | 80 | 1.19 |
| 09 | CRM099P1 | 40.00 | 1.575 | 60 | 1.07 |
| 10 | CRM109P1 | 45.00 | 1.772 | 60 | 1.19 |
| 11 | CRM119P1 | 50.00 | 1.969 | 60 | 1.30 |
| 12 | CRM129P1 | 55.00 | 2.165 | 40 | 0.95 |
| 13 | CRM139P1 | 60.00 | 2.362 | 40 | 1.03 |
| 14 | CRM149P1 | 65.00 | 2.559 | 40 | 1.11 |
| 15 | CRM159P1 | 70.00 | 2.756 | 40 | 1.19 |
| 16 | CRM169P1 | 75.00 | 2.953 | 40 | 1.26 |
| 17 | CRM179P1 | 80.00 | 3.150 | 40 | 1.34 |
| 18 | CRM189P1 | 85.00 | 3.346 | 30 | 1.07 |
| 19 | CRM199P1 | 90.00 | 3.543 | 30 | 1.13 |
| 20 | CRM209P1 | 95.00 | 3.740 | 30 | 1.19 |
| 21 | CRM219P1 | 100.00 | 3.937 | 30 | 1.24 |
| 22 | CRM229P1 | 105.00 | 4.134 | 30 | 1.30 |
| 23 | CRM239P1 | 110.00 | 4.331 | 30 | 1.36 |
| 24 | CRM249P1 | 115.00 | 4.528 | 30 | 1.42 |
| 25 | CRM259P1 | 120.00 | 4.724 | 20 | 0.99 |



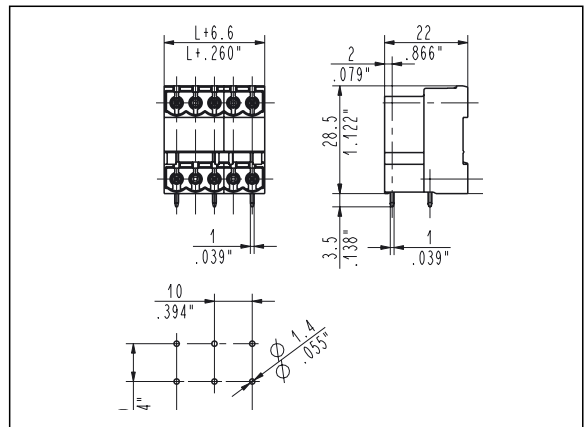
CRM_9P2 90°, Polarized Male
10 mm / .394" Pitch Weight per pole: 1.35 g

| Poles | STD Code | L [mm] | L [inch] | Pcs/pack. | W [kg] |
|-------|----------|--------|----------|-----------|--------|
| 02 | CRM029P2 | 10.00 | 0.394 | 150 | 0.81 |
| 03 | CRM039P2 | 20.00 | 0.787 | 120 | 1.01 |
| 04 | CRM049P2 | 30.00 | 1.181 | 80 | 0.81 |
| 05 | CRM059P2 | 40.00 | 1.575 | 60 | 0.81 |
| 06 | CRM069P2 | 50.00 | 1.969 | 60 | 0.97 |
| 07 | CRM079P2 | 60.00 | 2.362 | 40 | 0.76 |
| 08 | CRM089P2 | 70.00 | 2.756 | 40 | 0.87 |
| 09 | CRM099P2 | 80.00 | 3.150 | 40 | 0.97 |
| 10 | CRM109P2 | 90.00 | 3.543 | 30 | 0.81 |
| 11 | CRM119P2 | 100.00 | 3.937 | 30 | 0.89 |
| 12 | CRM129P2 | 110.00 | 4.331 | 30 | 0.97 |
| 13 | CRM139P2 | 120.00 | 4.724 | 20 | 0.70 |



CRM_9P5 90°, Polarized Male
5.08 mm / .200" Pitch Weight per pole: 0.99 g

| Poles | STD Code | L [mm] | L [inch] | Pcs/pack. | W [kg] |
|-------|----------|--------|----------|-----------|--------|
| 02 | CRM029P5 | 5.08 | 0.200 | 225 | 0.89 |
| 03 | CRM039P5 | 10.16 | 0.400 | 150 | 0.89 |
| 04 | CRM049P5 | 15.24 | 0.600 | 150 | 1.19 |
| 05 | CRM059P5 | 20.32 | 0.800 | 120 | 1.24 |
| 06 | CRM069P5 | 25.40 | 1.000 | 100 | 1.19 |
| 07 | CRM079P5 | 30.48 | 1.200 | 80 | 1.04 |
| 08 | CRM089P5 | 35.56 | 1.400 | 80 | 1.19 |
| 09 | CRM099P5 | 40.64 | 1.600 | 60 | 1.07 |
| 10 | CRM109P5 | 45.72 | 1.800 | 60 | 1.19 |
| 11 | CRM119P5 | 50.80 | 2.000 | 60 | 1.30 |
| 12 | CRM129P5 | 55.88 | 2.200 | 40 | 0.95 |
| 13 | CRM139P5 | 60.96 | 2.400 | 40 | 1.03 |
| 14 | CRM149P5 | 66.04 | 2.600 | 40 | 1.11 |
| 15 | CRM159P5 | 71.12 | 2.800 | 40 | 1.19 |
| 16 | CRM169P5 | 76.20 | 3.000 | 40 | 1.26 |
| 17 | CRM179P5 | 81.28 | 3.200 | 40 | 1.34 |
| 18 | CRM189P5 | 86.36 | 3.400 | 30 | 1.07 |
| 19 | CRM199P5 | 91.44 | 3.600 | 30 | 1.13 |
| 20 | CRM209P5 | 96.52 | 3.800 | 30 | 1.19 |
| 21 | CRM219P5 | 101.60 | 4.000 | 30 | 1.24 |
| 22 | CRM229P5 | 106.68 | 4.200 | 30 | 1.30 |
| 23 | CRM239P5 | 111.76 | 4.400 | 30 | 1.36 |
| 24 | CRM249P5 | 116.84 | 4.600 | 30 | 1.42 |
| 25 | CRM259P5 | 121.92 | 4.800 | 20 | 0.99 |



CRM_9P6 90°, Polarized Male
10.16 mm / .400" Pitch Weight per pole: 1.35 g

| Poles | STD Code | L [mm] | L [inch] | Pcs/pack. | W [kg] |
|-------|----------|--------|----------|-----------|--------|
| 02 | CRM029P6 | 10.16 | 0.400 | 150 | 0.81 |
| 03 | CRM039P6 | 20.32 | 0.800 | 120 | 1.01 |
| 04 | CRM049P6 | 30.48 | 1.200 | 80 | 0.81 |
| 05 | CRM059P6 | 40.64 | 1.600 | 60 | 0.81 |
| 06 | CRM069P6 | 50.80 | 2.000 | 60 | 0.97 |
| 07 | CRM079P6 | 60.96 | 2.400 | 40 | 0.76 |
| 08 | CRM089P6 | 71.12 | 2.800 | 40 | 0.87 |
| 09 | CRM099P6 | 81.28 | 3.200 | 40 | 0.97 |
| 10 | CRM109P6 | 91.44 | 3.600 | 30 | 0.81 |
| 11 | CRM119P6 | 101.60 | 4.000 | 30 | 0.89 |
| 12 | CRM129P6 | 111.76 | 4.400 | 30 | 0.97 |
| 13 | CRM139P6 | 121.92 | 4.800 | 20 | 0.70 |