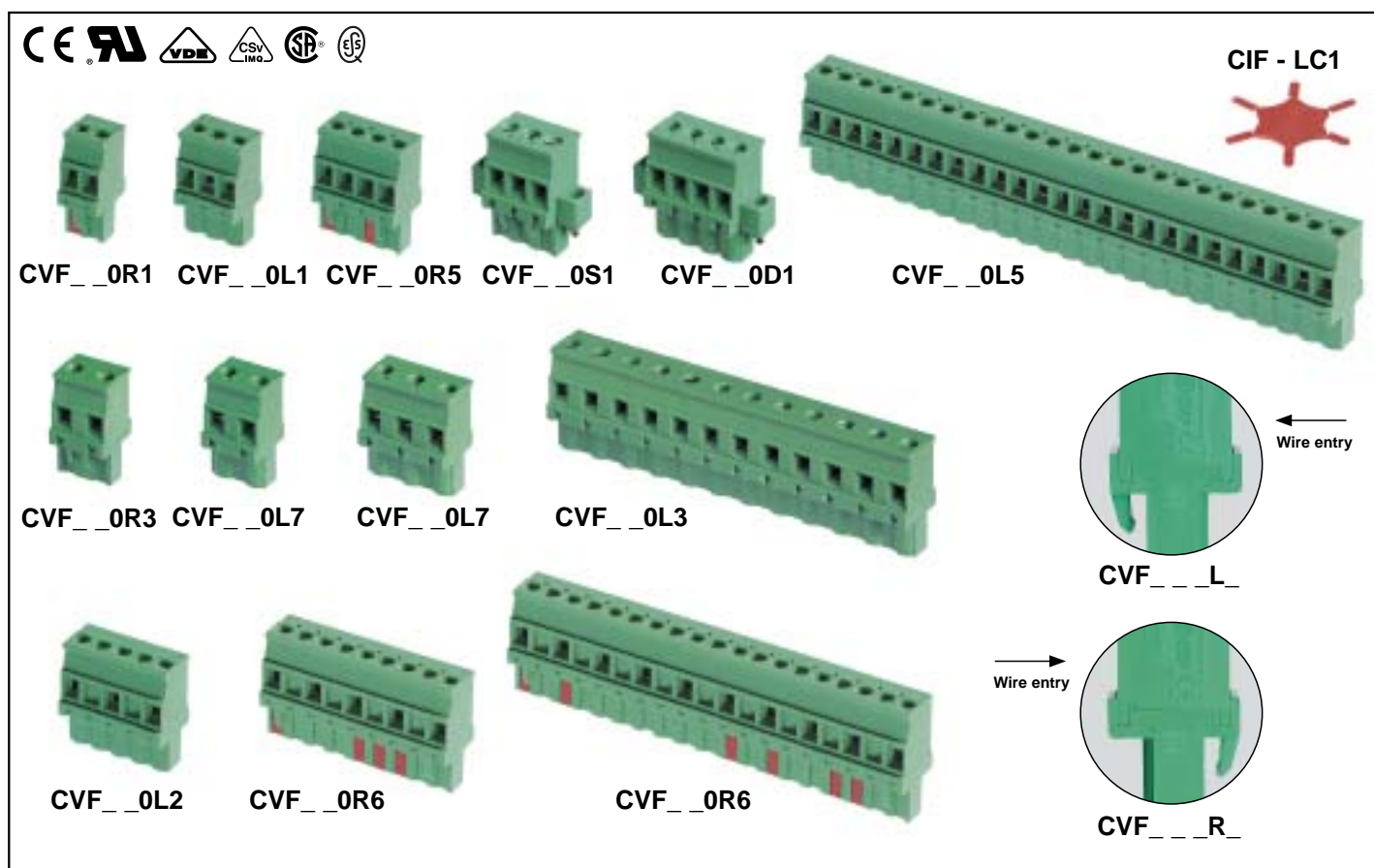




Dimensional Class:	MEDIUM
Standard Color:	GREEN
Mated Connectors Height:	see page 191
Cage Clamp Opening Size:	.098 x .094 in (2.5 x 2.4 mm)
Wire Diameter:	max. .094 in (4.52 mm ²)
Versions:	Right or Left Side Stackable Right or Left Locking Screw Flanges
Single Mold Poles:	from 2 to 25
Metric Pitches:	.197 in (5 mm), .295 in (7.5 mm), .394 in (10 mm)
Imperial Pitches:	.2 in (5.08 mm), .3 in (7.62 mm), .4 in (10.16 mm)

Classe Dimensionale:	MEDIA
Colore Standard:	VERDE
Altezza Connettore Completo:	vedere pag. 193
Apertura Introduzione Filo:	2,5 x 2,4 mm
Diametro Filo Inseribile:	max. 2,4 mm (4,52 mm ²)
Versioni:	Affiancabile Destra o Sinistra Con Viti Destra o Sinistra
Vie Monolitiche:	da 2 a 25
Passi Metrici:	5 mm, 7,5 mm, 10 mm
Passi in Pollici:	5,08 mm, 7,62 mm, 10,16 mm



The C V F connector Series for printed circuit boards can be polarized both by means of the plastic housing and by the use of CIF-LC1 and CIM-SC1 Coding Splines and Clips. COF-SP1 Polarization Pegs are also available for C V F Series coding.

For further details please refer to page 186.

The C V F connector Series satisfies the user's mounting needs with the following possibilities:

- mating with CIM, CPM and CRM male connectors;
- using individual single mold connectors from 2 to 25 poles;
- using Side Stackable connectors from 2 to 25 poles to obtain any number of poles;
- minimizing the stock by storing only selected connectors (ex. 2 - 3... 25 poles) to enable combinations as described above;
- using a custom Kit package to simplify the product management (part-number reduction), to minimize the stock, to improve the assembly and to reduce production errors.

Il connettore Serie C V F per circuiti stampati può essere polarizzato sia tramite il corpo plastico, sia con Linguette e Staffe di Codifica CIF-LC1 e CIM-SC1, sia con Spine di Polarizzazione COF-SP1.

Per ulteriori dettagli consultare la pagina 186.

Il connettore Serie C V F soddisfa le esigenze di montaggio dell'utilizzatore; infatti è possibile:

- accoppiarlo con i connettori maschio CIM, CPM, CRM;
- utilizzare singolarmente i connettori monolitici da 2 a 25 vie;
- affiancare i connettori Affiancabili da 2 a 25 vie per ottenere qualsiasi numero di vie;
- gestire uno stoccaggio minimo di connettori (es. 2 - 3... 25 vie) per ottenere quanto sopra;
- utilizzare le confezioni Kit che permettono una semplificazione della gestione del prodotto (riduzione dei part-number), del magazzino, dell'assemblaggio, nonché una riduzione dei rischi

M3 nickel-plated Copper Alloy Screw.		Vite M3 in Lega di Rame nichelata.
Nickel-plated Copper Alloy Cage Clamp.		Morsetto in Lega di Rame nichelato.
PA 6.6 Polyamide Housing. Standard Color: GREEN. V-0 Self-extinguishing According to UL 94. Chlorinated solvents resistant, with no Phosphor, Dioxin or detrimental to health Halogens.		Corpo in Poliammide PA 6.6. Colore Standard: VERDE. Autoestinguente Classe V-0 sec. UL 94. Resistente ai solventi clorurati, senza Fosforo, Diossina e Alogeni dannosi alla salute.
Leadfree tin-plated Phosphorous Bronze spring.		Molla in Bronzo Fosforoso stagnato senza piombo.
Easy-to-solder leadfree tin-plated Phosphorous Bronze Pin.		Terminale in Bronzo Fosforoso stagnato saldabile senza piombo.

Mechanical Characteristics

Insertion force per pole:	max. .674 lb (max. 3 N)
Withdrawal force per pole:	min. .337 lb (min. 1.5 N)
Recommended tightening torque:	0.8 Nm (UL)*
Stripping length:	.24 ÷ .30 in (6 ÷ 7.5 mm)
Operating temperature range:	-40 °F ÷ +230 °F (-40 °C ÷ +110 °C)
Climatic category:	40/110/21 According to IEC 68-1

Electrical Characteristics

Solid wire section:	30÷12 AWG - 0.05±2.5 mm ² (UL, CSA)*
Stranded wire section:	30÷12 AWG - 0.05±1.5 mm ² (UL, CSA)*
Rated voltage:	.197 in (5 mm) and .200 in (5.08 mm) pitch 300 V (UL, CSA)* .295 in (7.5 mm) and .300 in (7.62 mm) pitch 750 V (IMQ)* .394 in (10 mm) and .400 in (10.16 mm) pitch 750 V (IMQ)*
Rated current:	15 A (UL, CSA, IMQ)*
Contact resistance:	<15 mΩ
Insulation resistance:	>10 ⁹ Ω (500V DC)

*All the a.m. data refer to the highest values amongst the certificated ones (). **V** voltage, **I** current values and tightening torque are related to the norms to be applied to the product and to its use.

Caratteristiche Meccaniche

Forza di inserzione per contatto:	max. 3 N
Forza di disinserzione per contatto:	min. 1.5 N
Coppia di serraggio consigliata:	0,8 Nm (UL)*
Lunghezza di spellatura:	6 ÷ 7,5 mm
Temperature di funzionamento:	-40 °C ÷ +110 °C
Categoria climatica:	40/110/21 Secondo IEC 68-1

Caratteristiche Elettriche

Conduttore connettibile rigido:	0,05±2,5 mm ² - 30÷12 AWG (UL, CSA)*
Conduttore connettibile flessibile:	0,05±1,5 mm ² - 30÷12 AWG (UL, CSA)*
Tensione nominale:	passo 5 mm e 5,08 mm 300 V (UL, CSA)* passo 7,5 mm e 7,62 mm 750 V (IMQ)* passo 10 mm e 10,16 mm 750 V (IMQ)*
Corrente nominale:	15 A (UL, CSA, IMQ)*
Resistenza di contatto:	<15 mΩ
Resistenza di isolamento:	>10 ⁹ Ω (500V CC)

*Per ogni caratteristica, i dati riportati si riferiscono ai massimi valori fra quelli certificati (). I valori di tensione **V** corrente **I** e, coppia di serraggio sono legati alle norme applicabili al prodotto ed al tipo di utilizzo.

Approvals

(see also "Certifications", page 22)

VDE:	Reg. N. 112754 ÜG
	250 V - 12 A - T 110 - 1.5 mm ² for 5 mm and 5.08 mm pitch 500 V - 12 A - T 110 - 1.5 mm ² for 7.5 mm and 7.62 mm pitch 750 V - 12 A - T 110 - 1.5 mm ² for 10 mm and 10.16 mm pitch

IMQ:	Certificate with Surveillance IMQ CSv EM672
ESS:	250 V - T 110 - 15 A - 2.5 mm ² solid (12 A - 1.5 mm ² stranded) for 5 mm and 5.08 mm pitch 750 V - T 110 - 15 A - 2.5 mm ² solid (12 A - 1.5 mm ² stranded) for 7.5 mm, 7.62 mm, 10 mm and 10.16 mm pitch

CSA:	File LR 102896-2
	300 V - 15 A - 30÷12 AWG for 5 mm and 5.08 mm pitch 450 V - 15 A - 30÷12 AWG for 7.5 mm and 7.62 mm pitch 600 V - 15 A - 30÷12 AWG for 10 mm and 10.16 mm pitch

UL:	File E 167473
	300 V - 15 A - 30÷12 AWG for 5 mm, 5.08 mm, 7.5 mm and 7.62 mm pitch 600 V - 15 A - 30÷12 AWG for 10 mm and 10.16 mm pitch Application values for end-use equipment have to be in accordance to UL norms and applicable to it.

Certificazioni

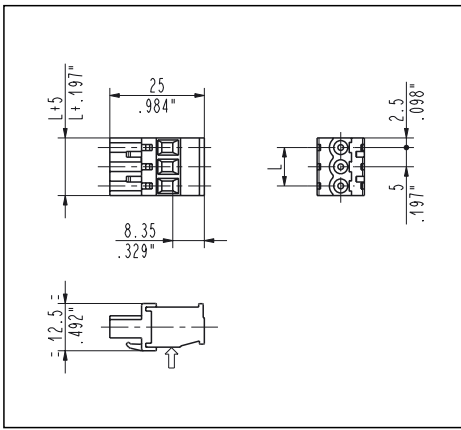
(vedi anche "Certificazioni", pag. 22)

VDE:	Reg. N. 112754 ÜG
	250 V - 12 A - T 110 - 1.5 mm ² per passo 5 mm e 5,08 mm 500 V - 12 A - T 110 - 1.5 mm ² per passo 7,5 mm e 7,62 mm 750 V - 12 A - T 110 - 1.5 mm ² per passo 10 mm e 10,16 mm

IMQ:	Certificato con Sorveglianza IMQ CSv EM672
ESS:	250 V - T 110 - 15 A - 2,5 mm ² rigido (12 A - 1,5 mm ² flessibile) per passo 5 mm e 5,08 mm 750 V - T 110 - 15 A - 2,5 mm ² rigido (12 A - 1,5 mm ² flessibile) per passo 7,5 mm, 7,62 mm, 10 mm e 10,16 mm

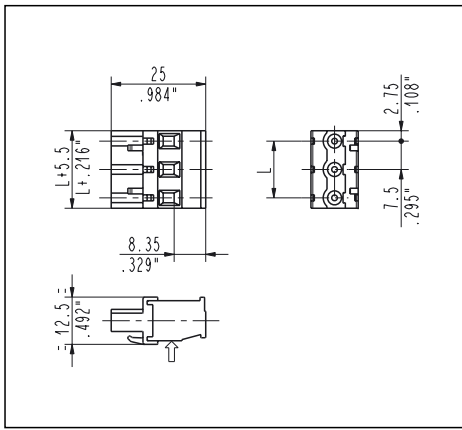
CSA:	File LR 102896-2
	300 V - 15 A - 30÷12 AWG per passo 5 mm e 5,08 mm 450 V - 15 A - 30÷12 AWG per passo 7,5 mm e 7,62 mm 600 V - 15 A - 30÷12 AWG per passo 10 mm e 10,16 mm

UL:	File E 167473
	300 V - 15 A - 30÷12 AWG per passo 5 mm, 5,08 mm, 7,5 mm e 7,62 mm 600 V - 15 A - 30÷12 AWG per passo 10 mm e 10,16 mm I valori di utilizzo per l'apparecchiatura finale devono essere conformi alle norme UL ad essa applicabili.



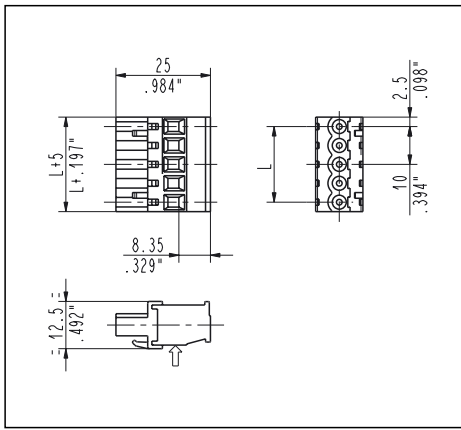
CVF_0R1 Right Side Stackable Female
5 mm / .197" Pitch Weight per pole: 2.08 g

Poles	STD Code	L [mm]	L [inch]	Pcs/pack.	W [kg]
02	CVF020R1	5.00	0.197	500	2.08
03	CVF030R1	10.00	0.394	400	2.50
04	CVF040R1	15.00	0.591	300	2.50
05	CVF050R1	20.00	0.787	250	2.60
06	CVF060R1	25.00	0.984	200	2.50
07	CVF070R1	30.00	1.181	175	2.55
08	CVF080R1	35.00	1.378	150	2.50
09	CVF090R1	40.00	1.575	125	2.34
10	CVF100R1	45.00	1.772	100	2.08
11	CVF110R1	50.00	1.969	100	2.29
12	CVF120R1	55.00	2.165	75	1.87
13	CVF130R1	60.00	2.362	75	2.03
14	CVF140R1	65.00	2.559	75	2.18
15	CVF150R1	70.00	2.756	75	2.34
16	CVF160R1	75.00	2.953	75	2.50
17	CVF170R1	80.00	3.150	50	1.77
18	CVF180R1	85.00	3.346	50	1.87
19	CVF190R1	90.00	3.543	50	1.98
20	CVF200R1	95.00	3.740	50	2.08
21	CVF210R1	100.00	3.937	50	2.18
22	CVF220R1	105.00	4.134	50	2.29
23	CVF230R1	110.00	4.331	50	2.39
24	CVF240R1	115.00	4.528	50	2.50
25	CVF250R1	120.00	4.724	50	2.60



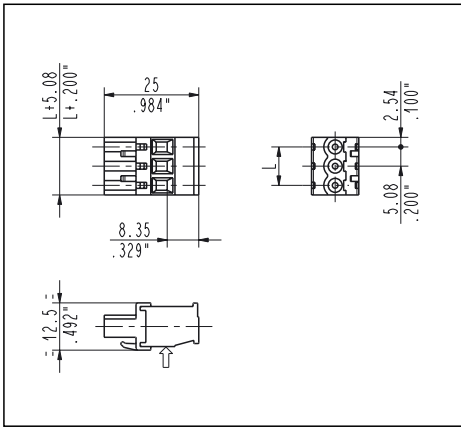
CVF_0R3 Right Side Stackable Female
7.5 mm / .295" Pitch Weight per pole: 2.33 g

Poles	STD Code	L [mm]	L [inch]	Pcs/pack.	W [kg]
02	CVF020R3	7.50	0.295	400	1.86
03	CVF030R3	15.00	0.591	250	1.74
04	CVF040R3	22.50	0.886	200	1.86
05	CVF050R3	30.00	1.181	150	1.74
06	CVF060R3	37.50	1.476	125	1.74
07	CVF070R3	45.00	1.772	100	1.62
08	CVF080R3	52.50	2.067	75	1.39
09	CVF090R3	60.00	2.362	75	1.57
10	CVF100R3	67.50	2.657	75	1.74
11	CVF110R3	75.00	2.953	50	1.28
12	CVF120R3	82.50	3.248	50	1.39



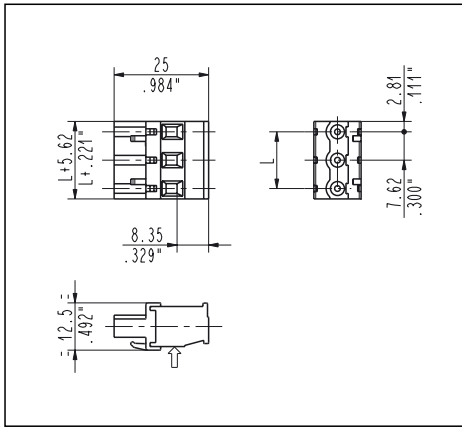
CVF_0R2 Right Side Stackable Female
10 mm / .394" Pitch Weight per pole: 2.65 g

Poles	STD Code	L [mm]	L [inch]	Pcs/pack.	W [kg]
02	CVF020R2	10.00	0.394	400	2.12
03	CVF030R2	20.00	0.787	250	1.99
04	CVF040R2	30.00	1.181	175	1.86
05	CVF050R2	40.00	1.575	125	1.66
06	CVF060R2	50.00	1.969	100	1.59
07	CVF070R2	60.00	2.362	75	1.39
08	CVF080R2	70.00	2.756	75	1.59
09	CVF090R2	80.00	3.150	50	1.19
10	CVF100R2	90.00	3.543	50	1.33
11	CVF110R2	100.00	3.937	50	1.46
12	CVF120R2	110.00	4.331	50	1.59
13	CVF130R2	120.00	4.724	50	1.72



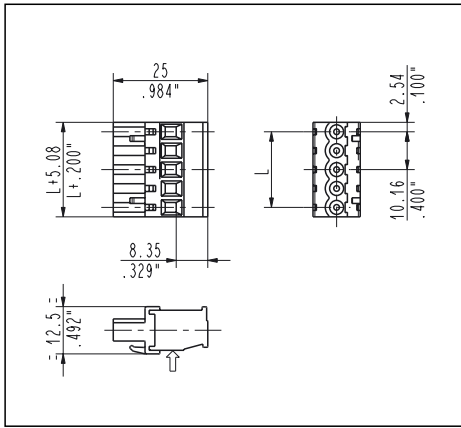
CVF_0R5 Right Side Stackable Female
5.08 mm / .200" Pitch Weight per pole: 2.08 g

Poles	STD Code	L [mm]	L [inch]	Pcs/pack.	W [kg]
02	CVF020R5	5.08	0.200	500	2.08
03	CVF030R5	10.16	0.400	400	2.50
04	CVF040R5	15.24	0.600	300	2.50
05	CVF050R5	20.32	0.800	250	2.60
06	CVF060R5	25.40	1.000	200	2.50
07	CVF070R5	30.48	1.200	175	2.55
08	CVF080R5	35.56	1.400	150	2.50
09	CVF090R5	40.64	1.600	125	2.34
10	CVF100R5	45.72	1.800	100	2.08
11	CVF110R5	50.80	2.000	100	2.29
12	CVF120R5	55.88	2.200	75	1.87
13	CVF130R5	60.96	2.400	75	2.03
14	CVF140R5	66.04	2.600	75	2.18
15	CVF150R5	71.12	2.800	75	2.34
16	CVF160R5	76.20	3.000	75	2.50
17	CVF170R5	81.28	3.200	50	1.77
18	CVF180R5	86.36	3.400	50	1.87
19	CVF190R5	91.44	3.600	50	1.98
20	CVF200R5	96.52	3.800	50	2.08
21	CVF210R5	101.60	4.000	50	2.18
22	CVF220R5	106.68	4.200	50	2.29
23	CVF230R5	111.76	4.400	50	2.39
24	CVF240R5	116.84	4.600	50	2.50
25	CVF250R5	121.92	4.800	50	2.60



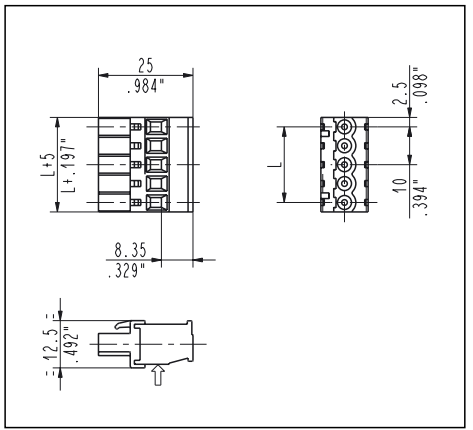
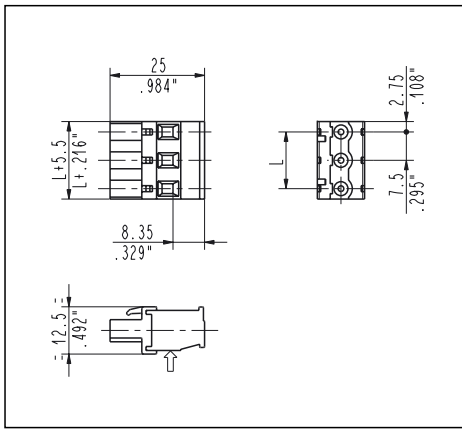
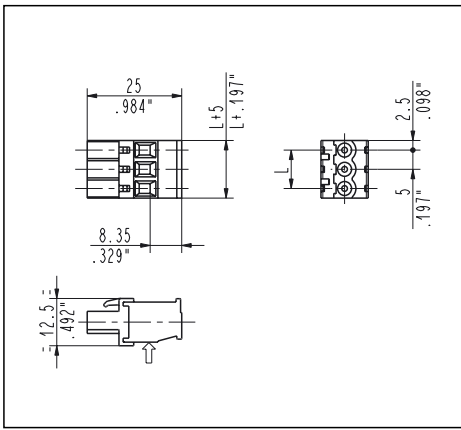
CVF_0R7 Right Side Stackable Female
7.62 mm / .300" Pitch Weight per pole: 2.33 g

Poles	STD Code	L [mm]	L [inch]	Pcs/pack.	W [kg]
02	CVF020R7	7.62	0.300	400	1.86
03	CVF030R7	15.24	0.600	250	1.74
04	CVF040R7	22.86	0.900	200	1.86
05	CVF050R7	30.48	1.200	150	1.74
06	CVF060R7	38.10	1.500	125	1.74
07	CVF070R7	45.72	1.800	100	1.62
08	CVF080R7	53.34	2.100	75	1.39
09	CVF090R7	60.96	2.400	75	1.57
10	CVF100R7	68.58	2.700	75	1.74
11	CVF110R7	76.20	3.000	50	1.28
12	CVF120R7	83.82	3.300	50	1.39



CVF_0R6 Right Side Stackable Female
10.16 mm / .400" Pitch Weight per pole: 2.65 g

Poles	STD Code	L [mm]	L [inch]	Pcs/pack.	W [kg]
02	CVF020R6	10.16	0.400	400	2.12
03	CVF030R6	20.32	0.800	250	1.99
04	CVF040R6	30.48	1.200	175	1.86
05	CVF050R6	40.64	1.600	125	1.66
06	CVF060R6	50.80	2.000	100	1.59
07	CVF070R6	60.96	2.400	75	1.39
08	CVF080R6	71.12	2.800	75	1.59
09	CVF090R6	81.28	3.200	50	1.19
10	CVF100R6	91.44	3.600	50	1.33
11	CVF110R6	101.60	4.000	50	1.46
12	CVF120R6	111.76	4.400	50	1.59
13	CVF130R6	121.92	4.800	50	1.72



CVF_0L1 Left Side Stackable Female
5 mm / .197" Pitch Weight per pole: 2.08 g

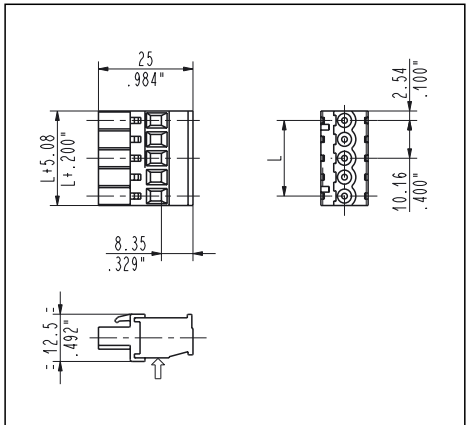
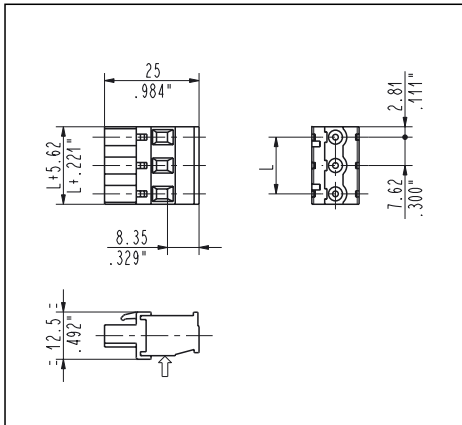
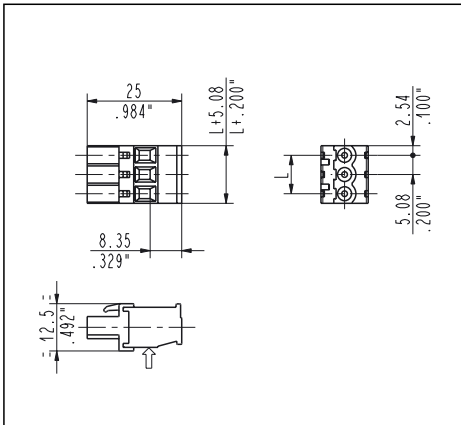
Poles	STD Code	L [mm]	L [inch]	Pcs/pack.	W [kg]
02	CVF020L1	5.00	0.197	500	2.08
03	CVF030L1	10.00	0.394	400	2.50
04	CVF040L1	15.00	0.591	300	2.50
05	CVF050L1	20.00	0.787	250	2.60
06	CVF060L1	25.00	0.984	200	2.50
07	CVF070L1	30.00	1.181	175	2.55
08	CVF080L1	35.00	1.378	150	2.50
09	CVF090L1	40.00	1.575	125	2.34
10	CVF100L1	45.00	1.772	100	2.08
11	CVF110L1	50.00	1.969	100	2.29
12	CVF120L1	55.00	2.165	75	1.87
13	CVF130L1	60.00	2.362	75	2.03
14	CVF140L1	65.00	2.559	75	2.18
15	CVF150L1	70.00	2.756	75	2.34
16	CVF160L1	75.00	2.953	75	2.50
17	CVF170L1	80.00	3.150	50	1.77
18	CVF180L1	85.00	3.346	50	1.87
19	CVF190L1	90.00	3.543	50	1.98
20	CVF200L1	95.00	3.740	50	2.08
21	CVF210L1	100.00	3.937	50	2.18
22	CVF220L1	105.00	4.134	50	2.29
23	CVF230L1	110.00	4.331	50	2.39
24	CVF240L1	115.00	4.528	50	2.50
25	CVF250L1	120.00	4.724	50	2.60

CVF_0L3 Left Side Stackable Female
7.5 mm / .295" Pitch Weight per pole: 2.33 g

Poles	STD Code	L [mm]	L [inch]	Pcs/pack.	W [kg]
02	CVF020L3	7.50	0.295	400	1.86
03	CVF030L3	15.00	0.591	250	1.74
04	CVF040L3	22.50	0.886	200	1.86
05	CVF050L3	30.00	1.181	150	1.74
06	CVF060L3	37.50	1.476	125	1.74
07	CVF070L3	45.00	1.772	100	1.62
08	CVF080L3	52.50	2.067	75	1.39
09	CVF090L3	60.00	2.362	75	1.57
10	CVF100L3	67.50	2.657	75	1.74
11	CVF110L3	75.00	2.953	50	1.28
12	CVF120L3	82.50	3.248	50	1.39

CVF_0L2 Left Side Stackable Female
10 mm / .394" Pitch Weight per pole: 2.65 g

Poles	STD Code	L [mm]	L [inch]	Pcs/pack.	W [kg]
02	CVF020L2	10.00	0.394	400	2.12
03	CVF030L2	20.00	0.787	250	1.99
04	CVF040L2	30.00	1.181	175	1.86
05	CVF050L2	40.00	1.575	125	1.66
06	CVF060L2	50.00	1.969	100	1.59
07	CVF070L2	60.00	2.362	75	1.39
08	CVF080L2	70.00	2.756	75	1.59
09	CVF090L2	80.00	3.150	50	1.19
10	CVF100L2	90.00	3.543	50	1.33
11	CVF110L2	100.00	3.937	50	1.46
12	CVF120L2	110.00	4.331	50	1.59
13	CVF130L2	120.00	4.724	50	1.72



CVF_0L5 Left Side Stackable Female
5.08 mm / .200" Pitch Weight per pole: 2.08 g

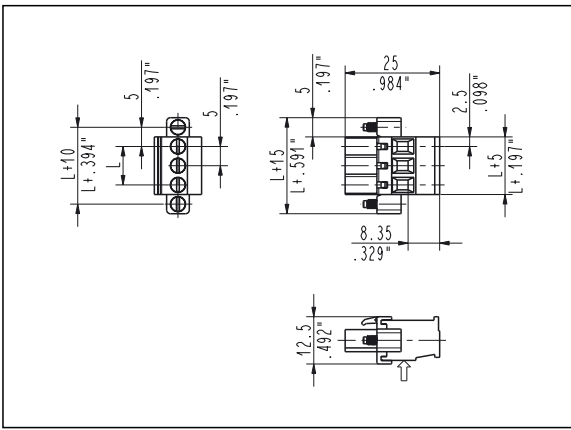
Poles	STD Code	L [mm]	L [inch]	Pcs/pack.	W [kg]
02	CVF020L5	5.08	0.200	500	2.08
03	CVF030L5	10.16	0.400	400	2.50
04	CVF040L5	15.24	0.600	300	2.50
05	CVF050L5	20.32	0.800	250	2.60
06	CVF060L5	25.40	1.000	200	2.50
07	CVF070L5	30.48	1.200	175	2.55
08	CVF080L5	35.56	1.400	150	2.50
09	CVF090L5	40.64	1.600	125	2.34
10	CVF100L5	45.72	1.800	100	2.08
11	CVF110L5	50.80	2.000	100	2.29
12	CVF120L5	55.88	2.200	75	1.87
13	CVF130L5	60.96	2.400	75	2.03
14	CVF140L5	66.04	2.600	75	2.18
15	CVF150L5	71.12	2.800	75	2.34
16	CVF160L5	76.20	3.000	75	2.50
17	CVF170L5	81.28	3.200	50	1.77
18	CVF180L5	86.36	3.400	50	1.87
19	CVF190L5	91.44	3.600	50	1.98
20	CVF200L5	96.52	3.800	50	2.08
21	CVF210L5	101.60	4.000	50	2.18
22	CVF220L5	106.68	4.200	50	2.29
23	CVF230L5	111.76	4.400	50	2.39
24	CVF240L5	116.84	4.600	50	2.50
25	CVF250L5	121.92	4.800	50	2.60

CVF_0L7 Left Side Stackable Female
7.62 mm / .300" Pitch Weight per pole: 2.33 g

Poles	STD Code	L [mm]	L [inch]	Pcs/pack.	W [kg]
02	CVF020L7	7.62	0.300	400	1.86
03	CVF030L7	15.24	0.600	250	1.74
04	CVF040L7	22.86	0.900	200	1.86
05	CVF050L7	30.48	1.200	150	1.74
06	CVF060L7	38.10	1.500	125	1.74
07	CVF070L7	45.72	1.800	100	1.62
08	CVF080L7	53.34	2.100	75	1.39
09	CVF090L7	60.96	2.400	75	1.57
10	CVF100L7	68.58	2.700	75	1.74
11	CVF110L7	76.20	3.000	50	1.28
12	CVF120L7	83.82	3.300	50	1.39

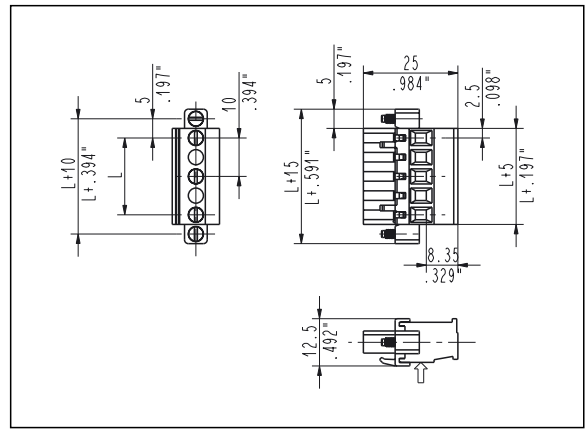
CVF_0L6 Left Side Stackable Female
10.16 mm / .400" Pitch Weight per pole: 2.65 g

Poles	STD Code	L [mm]	L [inch]	Pcs/pack.	W [kg]
02	CVF020L6	10.16	0.400	400	2.12
03	CVF030L6	20.32	0.800	250	1.99
04	CVF040L6	30.48	1.200	175	1.86
05	CVF050L6	40.64	1.600	125	1.66
06	CVF060L6	50.80	2.000	100	1.59
07	CVF070L6	60.96	2.400	75	1.39
08	CVF080L6	71.12	2.800	75	1.59
09	CVF090L6	81.28	3.200	50	1.19
10	CVF100L6	91.44	3.600	50	1.33
11	CVF110L6	101.60	4.000	50	1.46
12	CVF120L6	111.76	4.400	50	1.59
13	CVF130L6	121.92	4.800	50	1.72



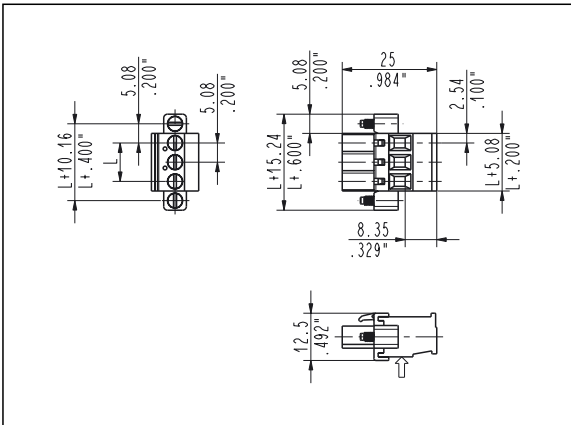
CVF_0D1 Right Locking Screw Flanges Female
5 mm / .197" Pitch Weight per pole: 2.55 g

Poles	STD Code	L [mm]	L [inch]	Pcs/pack.	W [kg]
02	CVF020D1	5.00	0.197	500	2.55
03	CVF030D1	10.00	0.394	250	1.91
04	CVF040D1	15.00	0.591	200	2.04
05	CVF050D1	20.00	0.787	175	2.23
06	CVF060D1	25.00	0.984	150	2.29
07	CVF070D1	30.00	1.181	125	2.23
08	CVF080D1	35.00	1.378	100	2.04



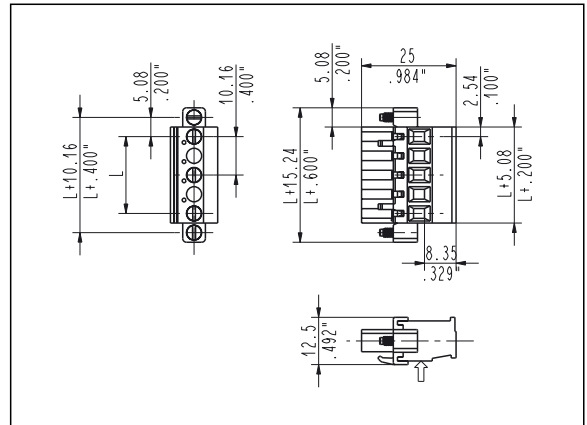
CVF_0D2 Right Locking Screw Flanges Female
10 mm / .394" Pitch Weight per pole: 3.06 g

Poles	STD Code	L [mm]	L [inch]	Pcs/pack.	W [kg]
02	CVF020D2	10.00	0.394	250	1.53
03	CVF030D2	20.00	0.787	175	1.61
04	CVF040D2	30.00	1.181	125	1.53



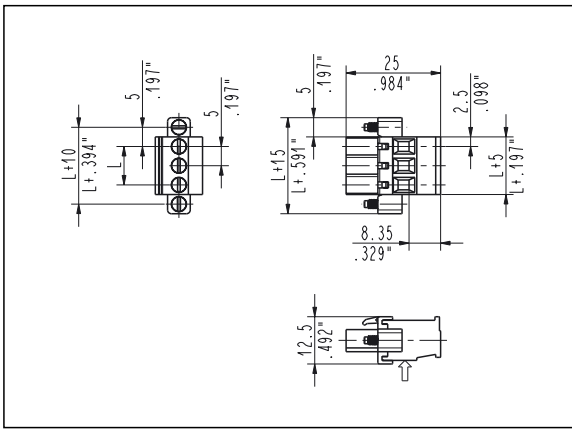
CVF_0D5 Right Locking Screw Flanges Female
5.08 mm / .200" Pitch Weight per pole: 2.55 g

Poles	STD Code	L [mm]	L [inch]	Pcs/pack.	W [kg]
02	CVF020D5	5.08	0.200	500	2.55
03	CVF030D5	10.16	0.400	250	1.91
04	CVF040D5	15.24	0.600	200	2.04
05	CVF050D5	20.32	0.800	175	2.23
06	CVF060D5	25.40	1.000	150	2.29
07	CVF070D5	30.48	1.200	125	2.23
08	CVF080D5	35.56	1.400	100	2.04
09	CVF090D5	40.64	1.600	100	2.29
10	CVF100D5	45.72	1.800	75	1.91
11	CVF110D5	50.80	2.000	75	2.10
12	CVF120D5	55.88	2.200	75	2.29
13	CVF130D5	60.96	2.400	75	2.48
14	CVF140D5	66.04	2.600	75	2.68
15	CVF150D5	71.12	2.800	50	1.91
16	CVF160D5	76.20	3.000	50	2.04
17	CVF170D5	81.28	3.200	50	2.17
18	CVF180D5	86.36	3.400	50	2.29
19	CVF190D5	91.44	3.600	50	2.42
20	CVF200D5	96.52	3.800	50	2.55
21	CVF210D5	101.60	4.000	50	2.68
22	CVF220D5	106.68	4.200	50	2.80
23	CVF230D5	111.76	4.400	50	2.93



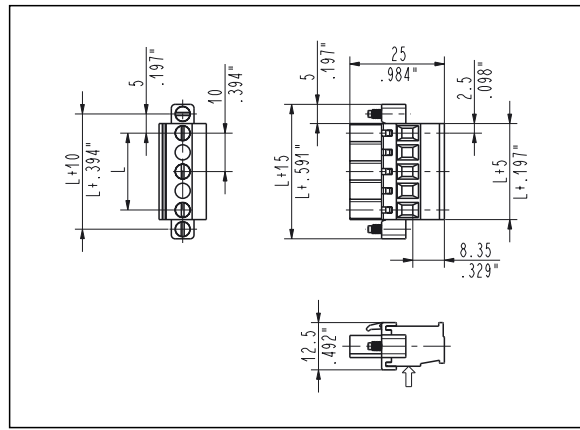
CVF_0D6 Right Locking Screw Flanges Female
10.16 mm / .400" Pitch Weight per pole: 3.06 g

Poles	STD Code	L [mm]	L [inch]	Pcs/pack.	W [kg]
02	CVF020D6	10.16	0.400	250	1.53
03	CVF030D6	20.32	0.800	175	1.61
04	CVF040D6	30.48	1.200	125	1.53
05	CVF050D6	40.64	1.600	100	1.53
06	CVF060D6	50.80	2.000	75	1.38
07	CVF070D6	60.96	2.400	75	1.61
08	CVF080D6	71.12	2.800	50	1.23
09	CVF090D6	81.28	3.200	50	1.38
10	CVF100D6	91.44	3.600	50	1.53
11	CVF110D6	101.60	4.000	50	1.69
12	CVF120D6	111.76	4.400	50	1.84



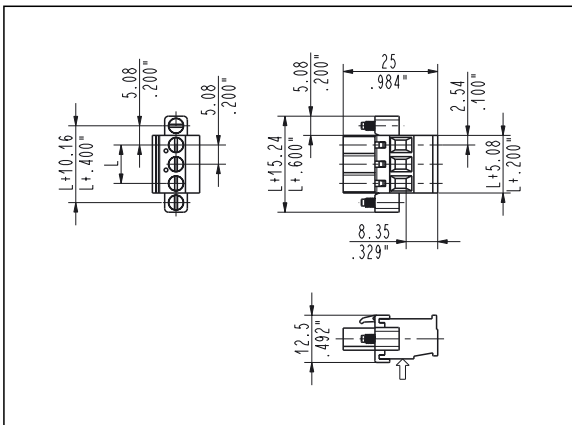
CVF_0S1 Left Locking Screw Flanges Female
5 mm / .197" Pitch Weight per pole: 2.55 g

Poles	STD Code	L [mm]	L [inch]	Pcs/pack.	W [kg]
02	CVF020S1	5.00	0.197	500	2.55
03	CVF030S1	10.00	0.394	250	1.91
04	CVF040S1	15.00	0.591	200	2.04
05	CVF050S1	20.00	0.787	175	2.23
06	CVF060S1	25.00	0.984	150	2.29
07	CVF070S1	30.00	1.181	125	2.23
08	CVF080S1	35.00	1.378	100	2.04



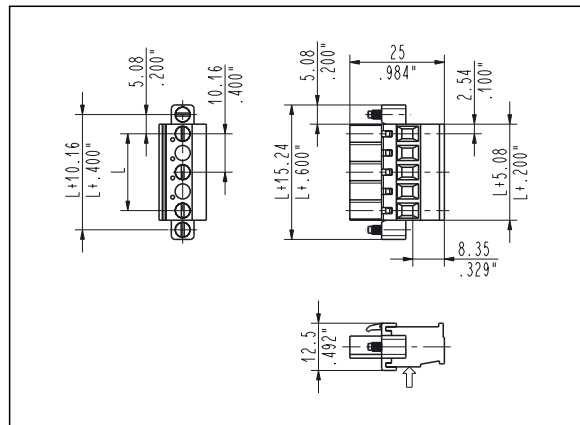
CVF_0S2 Left Locking Screw Flanges Female
10 mm / .394" Pitch Weight per pole: 3.06 g

Poles	STD Code	L [mm]	L [inch]	Pcs/pack.	W [kg]
02	CVF020S2	10.00	0.394	250	1.53
03	CVF030S2	20.00	0.787	175	1.61
04	CVF040S2	30.00	1.181	125	1.53



CVF_0S5 Left Locking Screw Flanges Female
5.08 mm / .200" Pitch Weight per pole: 2.55 g

Poles	STD Code	L [mm]	L [inch]	Pcs/pack.	W [kg]
02	CVF020S5	5.08	0.200	500	2.55
03	CVF030S5	10.16	0.400	250	1.91
04	CVF040S5	15.24	0.600	200	2.04
05	CVF050S5	20.32	0.800	175	2.23
06	CVF060S5	25.40	1.000	150	2.29
07	CVF070S5	30.48	1.200	125	2.23
08	CVF080S5	35.56	1.400	100	2.04
09	CVF090S5	40.64	1.600	100	2.29
10	CVF100S5	45.72	1.800	75	1.91
11	CVF110S5	50.80	2.000	75	2.10
12	CVF120S5	55.88	2.200	75	2.29
13	CVF130S5	60.96	2.400	75	2.48
14	CVF140S5	66.04	2.600	75	2.68
15	CVF150S5	71.12	2.800	50	1.91
16	CVF160S5	76.20	3.000	50	2.04
17	CVF170S5	81.28	3.200	50	2.17
18	CVF180S5	86.36	3.400	50	2.29
19	CVF190S5	91.44	3.600	50	2.42
20	CVF200S5	96.52	3.800	50	2.55
21	CVF210S5	101.60	4.000	50	2.68
22	CVF220S5	106.68	4.200	50	2.80
23	CVF230S5	111.76	4.400	50	2.93



CVF_0S6 Left Locking Screw Flanges Female
10.16 mm / .400" Pitch Weight per pole: 3.06 g

Poles	STD Code	L [mm]	L [inch]	Pcs/pack.	W [kg]
02	CVF020S6	10.16	0.400	250	1.53
03	CVF030S6	20.32	0.800	175	1.61
04	CVF040S6	30.48	1.200	125	1.53
05	CVF050S6	40.64	1.600	100	1.53
06	CVF060S6	50.80	2.000	75	1.38
07	CVF070S6	60.96	2.400	75	1.61
08	CVF080S6	71.12	2.800	50	1.23
09	CVF090S6	81.28	3.200	50	1.38
10	CVF100S6	91.44	3.600	50	1.53
11	CVF110S6	101.60	4.000	50	1.69
12	CVF120S6	111.76	4.400	50	1.84