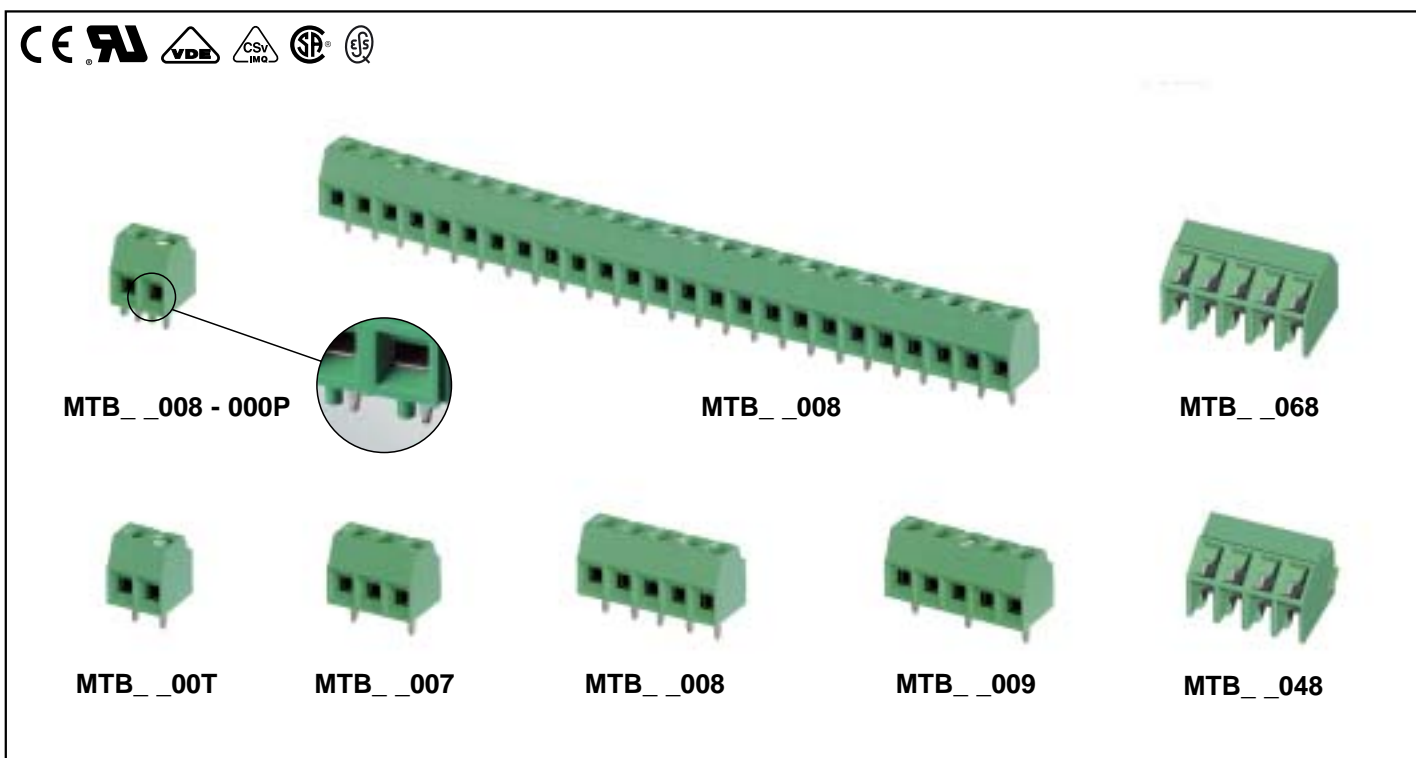




**Dimensional Class:** LOW  
**Standard Color:** GREEN  
**Height:** .335 in (8.5 mm) Straight - .374 in (9.5 mm) 55°  
**Clamp Opening Size:** .065 x .067 in (1.65 x 1.7 mm)  
**Wire Diameter:** max. .065 in (2.13 mm)<sup>2</sup>  
**Versions:** Side Stackable, Modular  
**Single Mold Poles:** from 2 to 25 (Straight), from 2 to 18 (55°)  
**Metric Pitches:** .138 in (3.5 mm), .275 in (7 mm) - Straight and 55°  
**Imperial Pitches:** .150 in (3.81 mm), .300 in (7.62 mm) - Straight

**Classe Dimensionale:** BASSA  
**Colore Standard:** VERDE  
**Altezza:** 8,5 mm Diritto - 9,5 mm 55°  
**Apertura Introduzione Filo:** 1,65 x 1,7 mm  
**Diametro Filo Inseribile:** max. 1,65 mm (2,13 mm)<sup>2</sup>  
**Versioni:** Affiancabile, Modulare  
**Vie Monolitiche:** da 2 a 25 (Diritto), da 2 a 18 (55°)  
**Passi Metrici:** 3,5 mm, 7 mm (Diritto e 55°)  
**Passi in Pollici:** 3,81 mm, 7,62 mm (Diritto)



The MTB terminal block Series for printed circuit boards satisfies the user's mounting needs with the following possibilities:

- using individual single mold terminal blocks from 2 to 25 poles;
- combining or placing on the PCB side stackable single mold terminal blocks from 2 to 25 poles to obtain any number of poles;
- minimizing the stock by storing only some base terminal blocks (ex. 2 - 3... 25 poles) to enable combinations as described above;
- being included in a custom Kit package to simplify the product management (part-numbers reduction), to minimize the stock, to improve the assembly and to reduce production errors.

**MTB with Pegs**

The Straight 2 poles MTB is also available with clamping pegs molded in the plastic housing to secure it to the board.

This solution increases the connector tightening torque and allows it to pass the most restrictive guidelines set by the international standards.

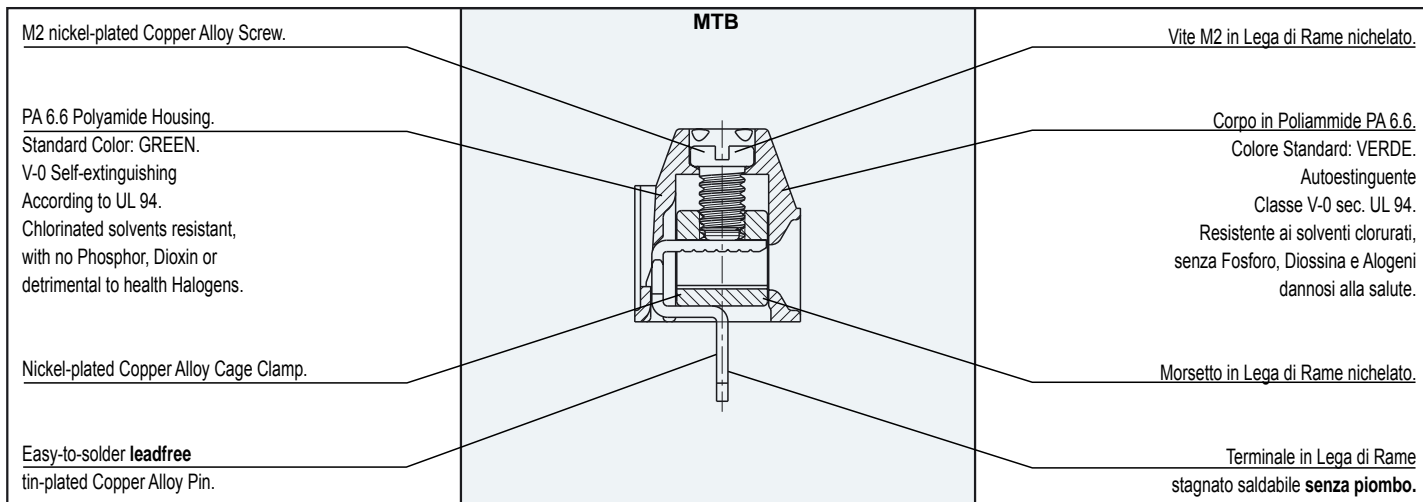
La morsettiera Serie MTB per circuiti stampati soddisfa le esigenze di montaggio dell'utilizzatore; infatti è possibile:

- utilizzare singolarmente le morsettiere base monolitiche da 2 a 25 vie;
- affiancare o comporre sul circuito stampato le morsettiere base monolitiche da 2 a 25 vie per ottenere qualsiasi numero di vie;
- gestire uno stoccaggio minimo di morsettiere base (es. 2 - 3... 25 vie) per ottenere quanto sopra;
- utilizzare le confezioni Kit che permettono una semplificazione della gestione del prodotto (riduzione dei part-number), del magazzino, dell'assemblaggio, nonché una riduzione dei rischi d'errore.

**MTB con Piolini**

La morsettiera MTB 2 vie Diritta è disponibile anche con piolini di ancoraggio a scheda, integrati nel corpo plastico.

Questa soluzione consente di scaricare la coppia di serraggio a scheda e di superare le prescrizioni più restrittive richieste da alcune normative internazionali.



### Mechanical Characteristics

Recommended tightening torque:	0.3 Nm (UL)*
PCB thickness:	max. .094 in (max. 2.4 mm)
PCB hole diameter:	min. .043 in (min. 1.1 mm)
Stripping length:	.197 in (5 mm)
Operating temperature range:	-40 °F ÷ +230 °F (-40 °C ÷ +110 °C)
Climatic category:	40/110/21 According to IEC 68-1

### Electrical Characteristics

Solid wire section:	30÷16 AWG - 0.05 ÷ 1.5 mm <sup>2</sup> (UL, CSA)*
Stranded wire section:	30÷16 AWG - 0.05÷1 mm <sup>2</sup> (UL, CSA)*
Rated voltage:	.138 in (3.5 mm) and .150 in (3.81 mm) pitch 300 V (UL, CSA)* .275 in (7 mm) and .300 in (7.62 mm) pitch 750 V (IMQ)*
Rated current:	17.5 A (IMQ)*
Contact resistance:	<15 mΩ
Insulation resistance:	>10 <sup>9</sup> Ω (500V DC)

\*All the a.m. data refer to the highest values amongst the certificated ones ( ). **V** voltage, **I** current values and tightening torque are related to the norms to be applied to the product and to its use.

### Caratteristiche Meccaniche

Coppia di serraggio consigliata:	0,3 Nm (UL)*
Spessore circuito stampato:	max. 2,4 mm
Diametro fori circuito stampato:	min. 1,1 mm
Lunghezza di spellatura:	5 mm
Temperature di funzionamento:	-40 °C ÷ +110 °C
Categoria climatica:	40/110/21 Secondo IEC 68-1

### Caratteristiche Elettriche

Conduttore connettibile rigido:	0,05÷1,5 mm <sup>2</sup> - 30÷16 AWG (UL, CSA)*
Conduttore connettibile flessibile:	0,05÷1 mm <sup>2</sup> - 30÷16 AWG (UL, CSA)*
Tensione nominale:	passo 3,5 mm e 3,81 mm 300 V (UL, CSA)* passo 7 mm e 7,62 mm 750 V (IMQ)*
Corrente nominale:	17,5 A (IMQ)*
Resistenza di contatto:	<15 mΩ
Resistenza di isolamento:	>10 <sup>9</sup> Ω (500V CC)

\*Per ogni caratteristica, i dati riportati si riferiscono ai massimi valori fra quelli certificati ( ). I valori di tensione **V** corrente **I** e, coppia di serraggio sono legati alle norme applicabili al prodotto ed al tipo di utilizzo.

### Approvals

(see also "Certifications", page 22)

<b>VDE:</b>	Pending
	130 V - 12 A - T 110 - 1 mm <sup>2</sup> for 3.5 mm and 3.81 mm pitch 450 V - 12 A - T 110 - 1 mm <sup>2</sup> for 7 mm and 7.62 mm pitch Test torque 0.25 Nm

<b>IMQ:</b>	<b>Certificate with Surveillance IMQ CSv CA02.0090</b>
<b>ESS:</b>	130 V - T 110 - 17.5 A - 1.5 mm <sup>2</sup> solid (12 A - 1 mm <sup>2</sup> stranded) for 3.5 mm and 3.81 mm pitch 750 V - T 110 - 17.5 A - 1.5 mm <sup>2</sup> solid (12 A - 1 mm <sup>2</sup> stranded) for 7 mm and 7.62 mm pitch Test torque 0.25 Nm

<b>CSA:</b>	<b>File LR 102896-1</b>
	300 V - 12 A - 30÷16 AWG for 3.5 mm and 3.81 mm pitch 450 V - 12 A - 30÷16 AWG for 7 mm and 7.62 mm pitch

<b>UL:</b>	<b>File E 167473</b>
	300 V - 12 A - 28÷16 AWG for 3.5 mm, 3.81 mm, 7 mm and 7.62 mm pitch Application values for end-use equipment have to be in accordance to UL norms and applicable to it.



### Certificazioni

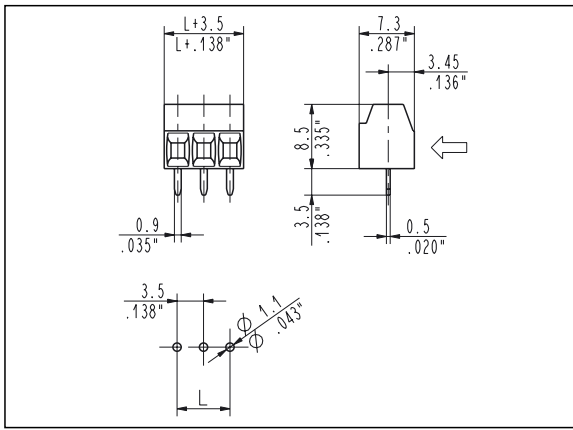
(vedi anche "Certificazioni", pag. 22)

<b>VDE:</b>	Pending
	130 V - 12 A - T 110 - 1 mm <sup>2</sup> per passo 3,5 mm e 3,81 mm 450 V - 12 A - T 110 - 1 mm <sup>2</sup> per passo 7 mm e 7,62 mm Coppia di prova 0,25 Nm

<b>IMQ:</b>	<b>Certificato con Sorveglianza IMQ CSv CA02.0090</b>
<b>ESS:</b>	130 V - T 110 - 17,5 A - 1,5 mm <sup>2</sup> rigido (12 A - 1 mm <sup>2</sup> flessibile) per passo 3,5 mm e 3,81 mm 750 V - T 110 - 17,5 A - 1,5 mm <sup>2</sup> rigido (12 A - 1 mm <sup>2</sup> flessibile) per passo 7 mm e 7,62 mm Coppia di prova 0,25 Nm

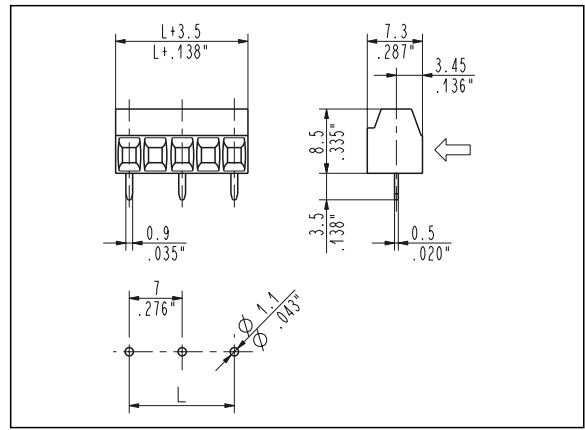
<b>CSA:</b>	<b>File LR 102896-1</b>
	300 V - 12 A - 30÷16 AWG per passo 3,5 mm e 3,81 mm 450 V - 12 A - 30÷16 AWG per passo 7 mm e 7,62 mm

<b>UL:</b>	<b>File E 167473</b>
	300 V - 12 A - 28÷16 AWG per passo 3,5 mm, 3,81 mm, 7 mm e 7,62 mm I valori di utilizzo per l'apparecchiatura finale devono essere conformi alle norme UL ad essa applicabili.



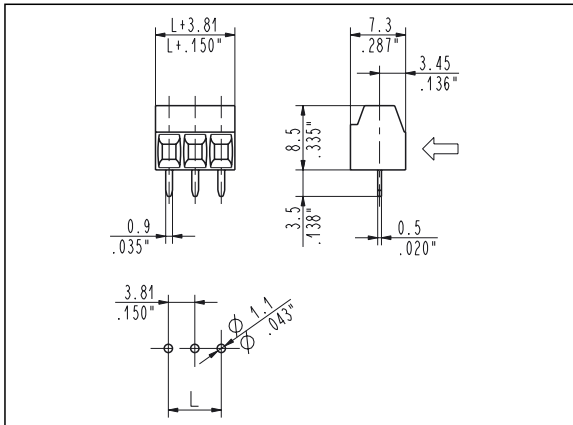
**MTB\_008** Straight, Side Entry  
3.5 mm / .138" Pitch Weight per pole: 0.73 g

Poles	STD Code	L [mm]	L [inch]	Pcs/pack.	W [kg]
02	MTB02008	3.50	0.138	800	1.16
03	MTB03008	7.00	0.276	500	1.09
04	MTB04008	10.50	0.413	350	1.02
05	MTB05008	14.00	0.551	275	1.00
06	MTB06008	17.50	0.689	225	0.98
07	MTB07008	21.00	0.827	175	0.89
08	MTB08008	24.50	0.965	175	1.02
09	MTB09008	28.00	1.102	150	0.98
10	MTB10008	31.50	1.240	125	0.91
11	MTB11008	35.00	1.378	125	1.00
12	MTB12008	38.50	1.516	100	0.87
13	MTB13008	42.00	1.654	100	0.95
14	MTB14008	45.50	1.791	100	1.02
15	MTB15008	49.00	1.929	100	1.09
16	MTB16008	52.50	2.067	100	1.16
17	MTB17008	56.00	2.205	75	0.93
18	MTB18008	59.50	2.343	75	0.98
19	MTB19008	63.00	2.480	75	1.04
20	MTB20008	66.50	2.618	75	1.09
21	MTB21008	70.00	2.756	75	1.15
22	MTB22008	73.50	2.894	75	1.20
23	MTB23008	77.00	3.031	75	1.26
24	MTB24008	80.50	3.169	50	0.87
25	MTB25008	84.00	3.307	50	0.91



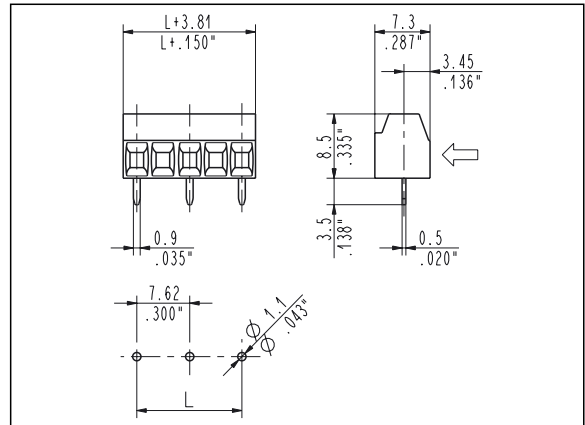
**MTB\_009** Straight, Side Entry  
7 mm / .275" Pitch Weight per pole: 0.83 g

Poles	STD Code	L [mm]	L [inch]	Pcs/pack.	W [kg]
02	MTB02009	7.00	0.276	500	0.83
03	MTB03009	14.00	0.551	275	0.69
04	MTB04009	21.00	0.827	200	0.67
05	MTB05009	28.00	1.102	150	0.62
06	MTB06009	35.00	1.378	125	0.62
07	MTB07009	42.00	1.654	100	0.58
08	MTB08009	49.00	1.929	100	0.67
09	MTB09009	56.00	2.205	75	0.56
10	MTB10009	63.00	2.480	75	0.62
11	MTB11009	70.00	2.756	75	0.69
12	MTB12009	77.00	3.031	50	0.50
13	MTB13009	84.00	3.307	50	0.54



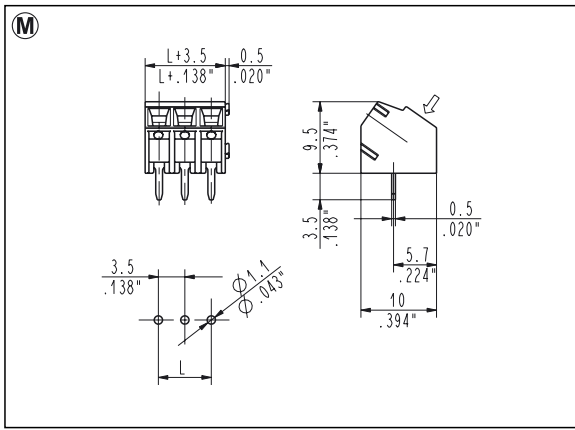
**MTB\_00T** Straight, Side Entry  
3.81 mm / .150" Pitch Weight per pole: 0.73 g

Poles	STD Code	L [mm]	L [inch]	Pcs/pack.	W [kg]
02	MTB0200T	3.81	0.150	800	1.16
03	MTB0300T	7.62	0.300	500	1.09
04	MTB0400T	11.43	0.450	350	1.02
05	MTB0500T	15.24	0.600	275	1.00
06	MTB0600T	19.05	0.750	225	0.98
07	MTB0700T	22.86	0.900	175	0.89
08	MTB0800T	26.67	1.050	175	1.02
09	MTB0900T	30.48	1.200	150	0.98
10	MTB1000T	34.29	1.350	125	0.91
11	MTB1100T	38.10	1.500	125	1.00
12	MTB1200T	41.91	1.650	100	0.87
13	MTB1300T	45.72	1.800	100	0.95
14	MTB1400T	49.53	1.950	100	1.02
15	MTB1500T	53.34	2.100	100	1.09
16	MTB1600T	57.15	2.250	100	1.16
17	MTB1700T	60.96	2.400	75	0.93
18	MTB1800T	64.77	2.550	75	0.98
19	MTB1900T	68.58	2.700	75	1.04
20	MTB2000T	72.39	2.850	75	1.09
21	MTB2100T	76.20	3.000	75	1.15
22	MTB2200T	80.01	3.150	75	1.20
23	MTB2300T	83.82	3.300	75	1.26
24	MTB2400T	87.63	3.450	50	0.87
25	MTB2500T	91.44	3.600	50	0.91



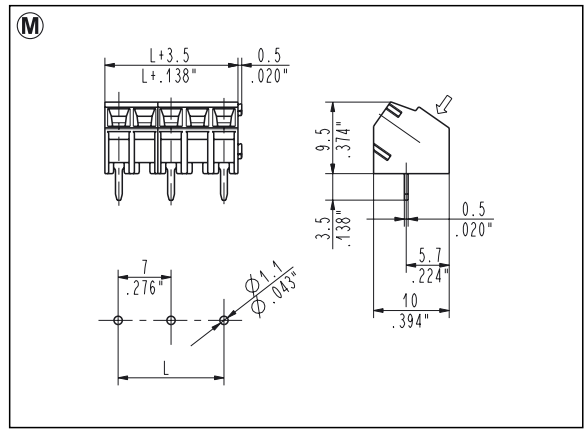
**MTB\_007** Straight, Side Entry  
7.62 mm / .300" Pitch Weight per pole: 0.83 g

Poles	STD Code	L [mm]	L [inch]	Pcs/pack.	W [kg]
02	MTB02007	7.62	0.300	500	0.83
03	MTB03007	15.24	0.600	275	0.69
04	MTB04007	22.86	0.900	200	0.67
05	MTB05007	30.48	1.200	150	0.62
06	MTB06007	38.10	1.500	125	0.62
07	MTB07007	45.72	1.800	100	0.58
08	MTB08007	53.34	2.100	100	0.67
09	MTB09007	60.96	2.400	75	0.56
10	MTB10007	68.58	2.700	75	0.62
11	MTB11007	76.20	3.000	75	0.69
12	MTB12007	83.82	3.300	50	0.50
13	MTB13007	91.44	3.600	50	0.54



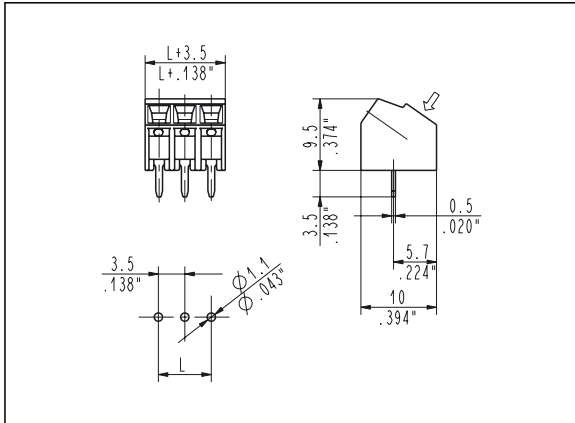
**MTB\_048** 55° Modular, Angled Entry  
3.5 mm / .138" Pitch Weight per pole: 0.94 g

Poles	STD Code	L [mm]	L [inch]	Pcs/pack.	W [kg]
02	MTB02048	3.50	0.138	800	1.50
03	MTB03048	7.00	0.276	500	1.40
04	MTB04048	10.50	0.413	350	1.31
05	MTB05048	14.00	0.551	275	1.29
06	MTB06048	17.50	0.689	225	1.26
07	MTB07048	21.00	0.827	175	1.15
08	MTB08048	24.50	0.965	175	1.31
09	MTB09048	28.00	1.102	150	1.26
10	MTB10048	31.50	1.240	125	1.17
11	MTB11048	35.00	1.378	125	1.29
12	MTB12048	38.50	1.516	100	1.12
13	MTB13048	42.00	1.654	100	1.22
14	MTB14048	45.50	1.791	100	1.31
15	MTB15048	49.00	1.929	100	1.40
16	MTB16048	52.50	2.067	100	1.50
17	MTB17048	56.00	2.205	75	1.19
18	MTB18048	59.50	2.343	75	1.26



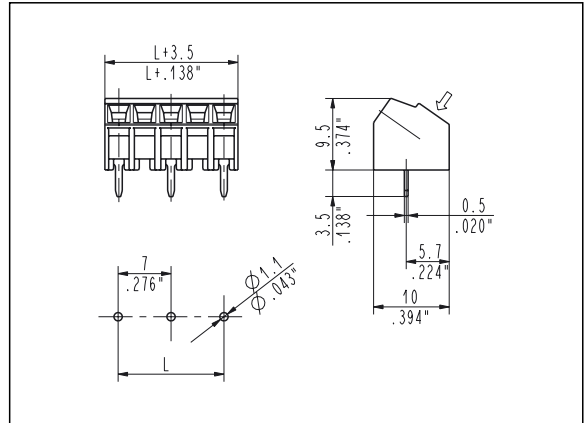
**MTB\_049** 55° Modular, Angled Entry  
7 mm / .275" Pitch Weight per pole: 1.04 g

Poles	STD Code	L [mm]	L [inch]	Pcs/pack.	W [kg]
02	MTB02049	7.00	0.276	500	1.04
03	MTB03049	14.00	0.551	275	0.86
04	MTB04049	21.00	0.827	200	0.83
05	MTB05049	28.00	1.102	150	0.78
06	MTB06049	35.00	1.378	125	0.78
07	MTB07049	42.00	1.654	100	0.73
08	MTB08049	49.00	1.929	100	0.83
09	MTB09049	56.00	2.205	75	0.70



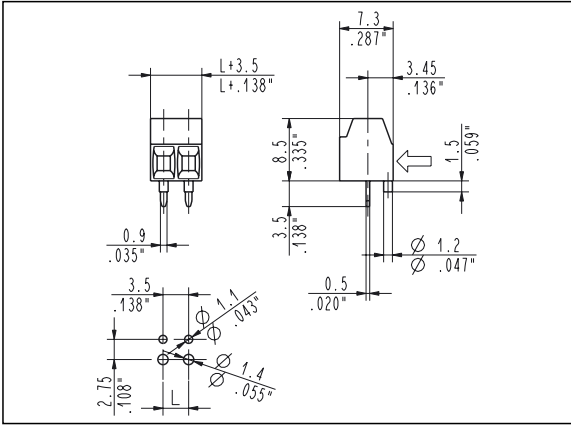
**MTB\_068** 55°, Angled Entry  
3.5 mm / .138" Pitch Weight per pole: 0.94 g

Poles	STD Code	L [mm]	L [inch]	Pcs/pack.	W [kg]
02	MTB02068	3.50	0.138	800	1.50
03	MTB03068	7.00	0.276	500	1.40
04	MTB04068	10.50	0.413	350	1.31
05	MTB05068	14.00	0.551	275	1.29
06	MTB06068	17.50	0.689	225	1.26
07	MTB07068	21.00	0.827	175	1.15
08	MTB08068	24.50	0.965	175	1.31
09	MTB09068	28.00	1.102	150	1.26
10	MTB10068	31.50	1.240	125	1.17
11	MTB11068	35.00	1.378	125	1.29
12	MTB12068	38.50	1.516	100	1.12
13	MTB13068	42.00	1.654	100	1.22
14	MTB14068	45.50	.791	100	1.31
15	MTB15068	49.00	1.929	100	1.40
16	MTB16068	52.50	2.067	100	1.50
17	MTB17068	56.00	.205	75	1.19
18	MTB18068	59.50	.343	75	1.26



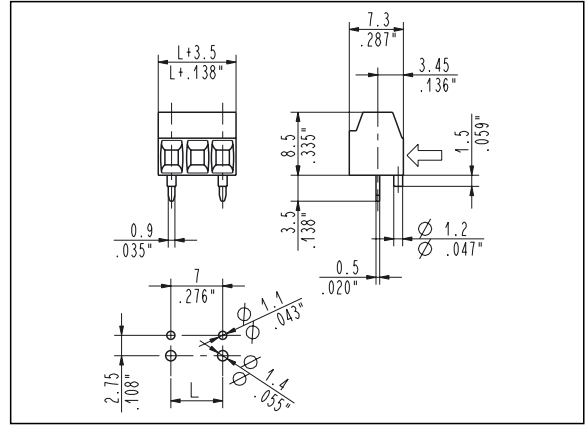
**MTB\_069** 55°, Angled Entry  
7 mm / .275" Pitch Weight per pole: 1.04 g

Poles	STD Code	L [mm]	L [inch]	Pcs/pack.	W [kg]
02	MTB02069	7.00	0.276	500	1.04
03	MTB03069	14.00	0.551	275	0.86
04	MTB04069	21.00	0.827	200	0.83
05	MTB05069	28.00	1.102	150	0.78
06	MTB06069	35.00	1.378	125	0.78
07	MTB07069	42.00	1.654	100	0.73
08	MTB08069	49.00	1.929	100	0.83
09	MTB09069	56.00	2.205	75	0.70



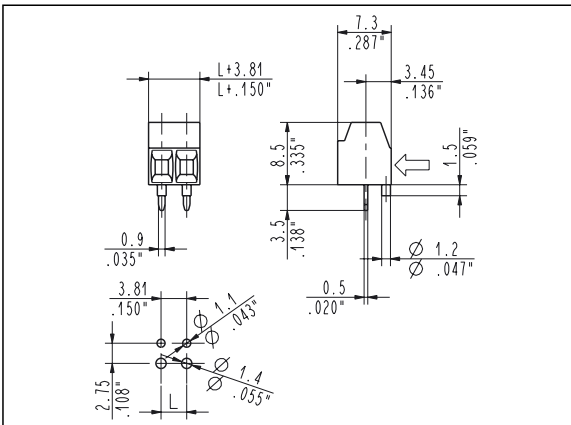
**MTB02008 - 0000P Straight with Vde Pegs, Side Entry**  
**3.5 mm / .138" Pitch** Weight per pole: 0.73 g

Poles	STD Code	L [mm]	L [inch]	Pcs/pack.	W [kg]
02	MTB02008-0000P	3.50	0.138	800	1.16



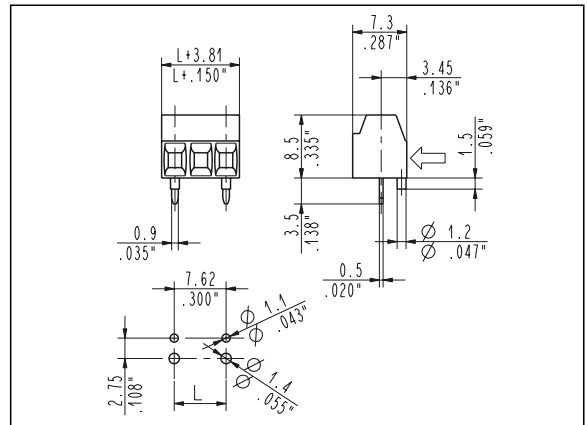
**MTB02009 - 0000P Straight with Vde Pegs, Side Entry**  
**7 mm / .275" Pitch** Weight per pole: 0.83 g

Poles	STD Code	L [mm]	L [inch]	Pcs/pack.	W [kg]
02	MTB02009-0000P	7.00	0.276	500	0.83



**MTB0200T - 0000P Straight with Vde Pegs, Side Entry**  
**3.81 mm / .150" Pitch** Weight per pole: 0.73 g

Poles	STD Code	L [mm]	L [inch]	Pcs/pack.	W [kg]
02	MTB0200T-0000P	3.81	0.150	800	1.16



**MTB02007 - 0000P Straight with Vde Pegs, Side Entry**  
**7.62 mm / .300" Pitch** Weight per pole: 0.83 g

Poles	STD Code	L [mm]	L [inch]	Pcs/pack.	W [kg]
02	MTB02007-0000P	7.62	0.300	500	0.83