

Double-Layer Capacitor Modules Based on SuperCap C Cylindrical Cells

Special Features

- Storage capacitor modules with very high capacitance values from 12 F to 840 F and rated voltages from 14 VDC to 112 VDC
- Discharge current up to 5000 A
- Maintenance-free
- Series connected
- Actively or passively balanced
- According to RoHS 2002/95/EC

Construction

Encapsulation: Metal case IP65

Terminations:

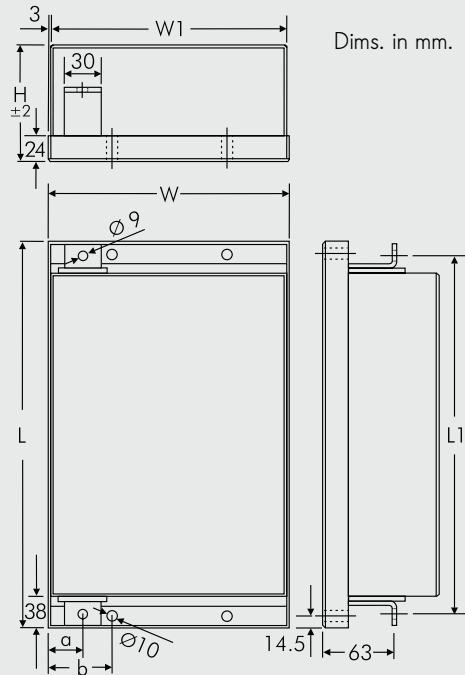
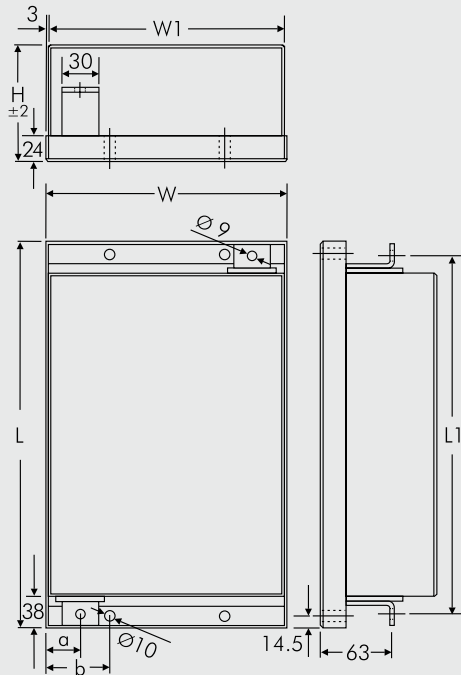
Aluminium lug terminals

Marking: Colour: Black. Marking: Gold

SuperCap modules of the „Powerblock“ range have a modular design. Customized solutions can be realized on request.

General Data

U _R	C _N	Dimensions			Part number	Typical applications
		W	H	L		
14 V	110 F	119	88	242	SCMCA3B110MC00MV00	- Motor start - Boardnet stabilisation
	200 F	119	111	242	SCMCA3B200MC00MV00	
	420 F	169	116	317	SCMCA3B420MC00MV00	
	840 F	219	116	390	SCMCA3B840MC00MV00	
28 V	55 F	172	88	295	SCMCA4A550MC00MV00	- Motor start - Boardnet stabilisation - Railway technology - Telecommunication
	100 F	172	111	295	SCMCA4B100MC00MV00	
	230 F	255	116	400	SCMCA4B230MC00MV00	
	420 F	329	116	500	SCMCA4B420MC00MV00	
56 V	28 F	228	88	404	SCMCB1A280MC00MV00	- Recuperation - DC intermediate circuits - UPS - Wind power systems - Industry
	50 F	228	111	404	SCMCB1A500MC00MV00	
	115 F	324	116	500	SCMCB1B115MC00MV00	
	210 F	435	116	706	SCMCB1B210MC00MV00	
112 V	12 F	335	88	500	SCMCD4A120MC00MV00	- Industry - DC intermediate circuits
	24 F	335	111	500	SCMCD4A240MC00MV00	



Dims. in mm.

U _R	C _N	W1	L1	a	b
14 V	110 F	113	203	33	60
	200 F	113	203	33	60
	420 F	163	204	45.5	85
	840 F	213	254	58	110
28 V	55 F	169	269	33	60
	100 F	169	269	33	60
	230 F	247	371	45.5	85
	420 F	321	471	58	110

U _R	C _N	W1	L1	a	b
56 V	28 F	222	375	33	60
	50 F	222	375	33	60
	115 F	321	471	45.5	85
	210 F	429	677	58	110
112 V	12 F	327	265	33	60
	24 F	327	265	33	60

Rights reserved to amend design data without prior notification.

Continuation

Technical Data

Capacitance:	C _N	110 F	200 F	420 F	840 F	55 F	100 F	230 F	420 F
Capacitance tolerance:	-	±20%				±20%			
Rated voltage:	U _R	14 V				28 V			
Rated current:	I _C	400 A	650 A	900 A	1000 A	400 A	650 A	900 A	1000 A
Pulse current:	I _P	up to 1400 A	up to 2400 A	up to 4000 A	up to 5000 A	up to 1400 A	up to 2400 A	up to 4000 A	up to 5000 A
Internal resistance:	R _{DC}	7 mΩ	6 mΩ	1.8 mΩ	1.2 mΩ	16 mΩ	12 mΩ	7.5 mΩ	6 mΩ
Max. stored energy: ±20%	E _{max}	7.5 kJ	12 kJ	41 kJ	82 kJ	21.5 kJ	39 kJ	90 kJ	165 kJ
Operating temperature:	T _{op}	-30° C ... +65° C				-30° C ... +65° C			
Storage temperature:	T _{st}	-40° C ... +70° C				-40° C ... +70° C			
Weight:	m	1.9 kg	2.2 kg	5.5 kg	8 kg	4.8 kg	5.8 kg	11.5 kg	15.8 kg
Volume:	V	1.9 l	2.4 l	4.5 l	7.6 l	3.3 l	4.2 l	9.3 l	15.8 l

Additional Data

Case:	-	AlMg3	AlMg3
Lug terminals:	-	M8 x 2	M8 x 2

Comparative Data

Lifetime:									
in hours ¹⁾	h	90 000				90 000			
in cycles ²⁾	Cycles	500 000				500 000			
Energy density:									
gravimetric	E _d	1.6 Wh/kg	2.5 Wh/kg	2.1 Wh/kg	2.9 Wh/kg	1.2 Wh/kg	1.9 Wh/kg	2.2 Wh/kg	2.9 Wh/kg
volumetric	E _v	1.6 Wh/l	2.3 Wh/l	2.5 Wh/l	3.0 Wh/l	1.8 Wh/l	2.6 Wh/l	2.7 Wh/l	2.9 Wh/l

¹⁾ Requirements:

$|\Delta C/C_N| \leq 30\%$, ESR ≤ 2 times specified limit, I_{leak} ≤ 2 times of initial value.

²⁾ Test conditions:

$|\Delta C/C_N| \leq 30\%$, ESR ≤ 2 times specified limit, I_{leak} ≤ 2 times of initial value

(cycles: charging to U_R, 30 sec rest, discharging to U_R/2, 30 sec rest).

Continuation page 119

Continuation

Technical Data

Capacitance:	C _N	28 F	50 F	115 F	210 F	12 F	24 F
Capacitance tolerance:	–	±20%				±20%	
Rated voltage:	U _R	56 V				112 V	
Rated current:	I _C	400 A	650 A	900 A	1000 A	400 A	650 A
Pulse current:	I _P	up to 1400 A	up to 2400 A	up to 4000 A	up to 5000 A	up to 1400 A	up to 2400 A
Internal resistance:	R _{DC}	32 mΩ	12 mΩ	7.2 mΩ	4.8 mΩ	58 mΩ	24 mΩ
Max. stored energy: ±20%	E _{max.}	44 kJ	78.4 kJ	180.2 kJ	330 kJ	88 kJ	157 kJ
Operating temperature:	T _{op}	–30° C ... +65° C				–30° C ... +65° C	
Storage temperature:	T _{st}	–40° C ... +70° C				–40° C ... +70° C	
Weight:	m	9.5 kg	10.8 kg	14.5 kg	18.7 kg	19 kg	22 kg
Volume:	V	6.4 l	8.2 l	15.8 l	31.2 l	15.1 l	18.5 l

Additional Data

Case:	–	AlMg3	AlMg3
Lug terminals:	–	M8 x 2	M8 x 2

Comparative Data

Lifetime:							
in hours ¹⁾	h	90 000				90 000	
in cycles ²⁾	Cycles	500 000				500 000	
Energy density:							
gravimetric	E _d	1.3 Wh/kg	2.0 Wh/kg	3.5 Wh/kg	4.9 Wh/kg	1.3 Wh/kg	2.0 Wh/kg
volumetric	E _v	1.9 Wh/l	2.7 Wh/l	3.2 Wh/l	2.9 Wh/l	1.6 Wh/l	2.4 Wh/l

¹⁾ Requirements:

$|\Delta C/C_N| \leq 30\%$, $ESR \leq 2$ times specified limit, $I_{leak} \leq 2$ times of initial value.

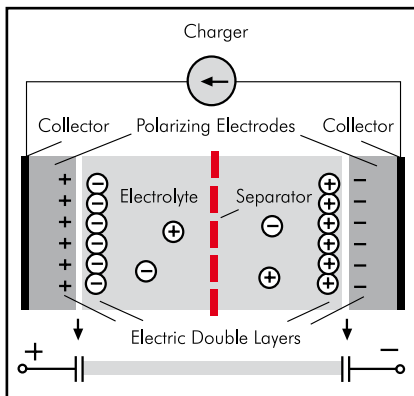
²⁾ Test conditions:

$|\Delta C/C_N| \leq 30\%$, $ESR \leq 2$ times specified limit, $I_{leak} \leq 2$ times of initial value
(cycles: charging to U_R, 30 sec rest, discharging to U_R/2, 30 sec rest).

Technical Data and Applications of WIMA Double-Layer Capacitors

Construction Principle

The construction principle of a Double-Layer Capacitor can be described as a plate capacitor where the most important aim is to obtain electrodes with an extremely large surface. For this purpose activated carbon is ideally suited, as it allows to achieve capacitance values of up to 100 F/g of active mass of the electrode. The electrolyte, the conductive liquid between the electrodes is a conducting salt dissolved in an aqueous or organic solvent which permits to apply voltages of 2.5V.



Construction principle of the WIMA Double-Layer Capacitor

The actual double-layer consists of ions which, when voltage is applied, attach to the positive or negative electrode corresponding to their opposite poles and thus create a dielectric gauge of a few Angstrom only. This results in a very high capacitance yield caused by the very huge surface of the electrode in accordance with the formula

$$C = \epsilon \times \frac{\text{Surface}}{\text{Distance}}$$

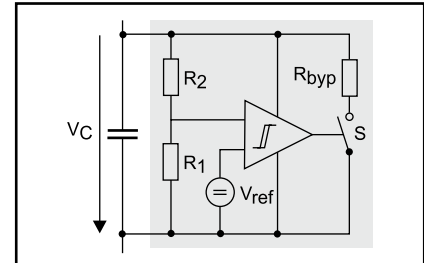
To visualise this, the internal surface of a Double-Layer Capacitor would cover several football pitches.

A permeable diaphragm acting as a separating layer and called separator avoids short-circuit between the two electrodes and considerably influences the characteristics of the capacitor. Charge or discharge of the Double-Layer Capacitor is combined with the transformation of the layers in the electrical field and thus with the movement of the charge carriers in the solvent - even through the separator film.

This phenomenon represents the main reason for the modest AC voltage capability and the steep decrease of capacitance versus frequency exhibited by Double-Layer Capacitors.

Cascaded SuperCap Modules

Several SuperCap cells can be built up to enormous capacitances of the desired voltage by means of series or parallel connection (cascade). When cascading SuperCaps, the voltage of single cells must not exceed 2.5V (decomposition of the electrolyte!) Hence, series connections need in any case to be balanced since a possibly slightly different aging of the individual cells due to temperature may over time cause deviating capacitances and thus different voltage drops at the cell. The balancing will be factory-mounted into a module. This can be made passively and in a cost-efficient way by simple resistors in those cases where additional losses as bypass current through the balancing resistors can be tolerated by the application. Alternatively, an active balancing can be made by keeping each cell at a certain voltage by means of a reference source. That means if the comparator circuit detects a commencing overload of any cell individual discharge is initiated by a bypass resistor. Except the current needed for the voltage divider and the minimal leakage current of the cells there are no considerable losses created during active balancing.

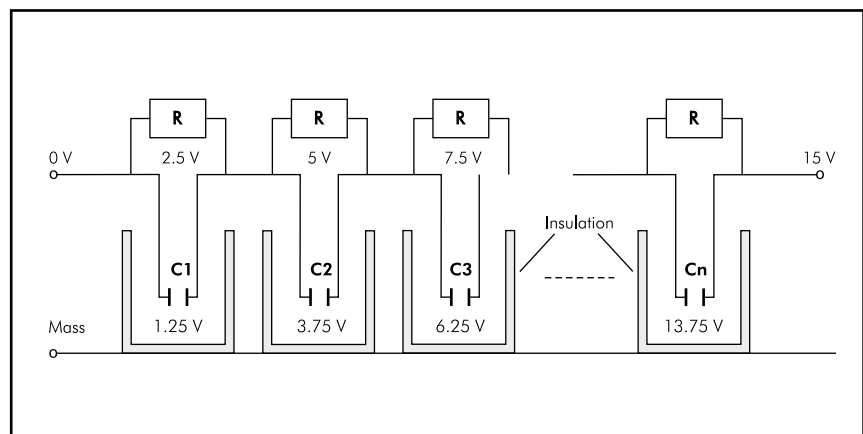


Active balancing.

Comparator compares voltage at the capacitor by a reference voltage and switches in order to discharge through a bypassing resistor until overvoltage has declined.

Operational Life

For physical reasons it is unavoidable that Double-Layer Capacitors are subjected to aging which follows the logarithmic dependence of voltage applied and ambient temperature (Arrhenius behaviour) that can be observed with other components, too. However, continuous studies have shown that WIMA products exhibit a significantly improved behaviour in terms of life time being achieved by a laser-welded, hermetically sealed construction of the cells in metal cases which makes penetration from outside impossible; they cannot dry up and can withstand a certain thermal expansion movement. Only by this innovation one can consider the component being suitable for long-year maintenance-free application.



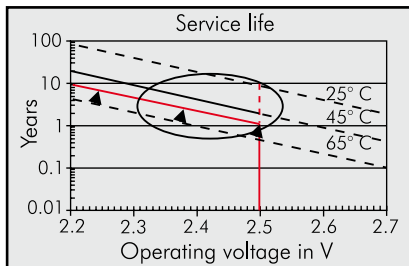
Passive balancing.

Without resistors: U reciprocal-effect to C - thus locale overvoltage easily can occur

With resistors: U proportional-effect to R - thus voltage is fixed

Technical Data and Applications of WIMA Double-Layer Capacitors (Continuation)

When properly treated WIMA SuperCaps have a service life beyond 10 years and can easily sustain more than 500.000 charge/discharge cycles. The efficiency is far higher than 90%.



Life time expectancy for WIMA SuperCaps

Advantages in Comparison with other Energy Storage Solutions

WIMA SuperCaps are showing following advantages in comparison with other energy storage solutions:

- **Low internal resistance (less than 1/10 of what a usual battery exhibits)**
- **Release of high currents (10 to 100 times more than batteries)**
- **Maintenance-free operation**
- **No risk of damage due to complete discharge of the component**
- **High life expectancy**
- **Usage in isolated systems, e.g. inaccessible areas, is unproblematic**
- **Comparatively low weight**

WIMA Double-Layer Capacitors are particularly suitable in applications where high and even highest currents - not in pure AC operation - occur. By combining the advantage of conventional capacitors as fast suppliers of electricity with that of batteries as notable energy reservoirs the SuperCap represents the link between battery and conventional capacitor.

	Standard Capacitor	SuperCap	Battery
Capacitance per Surface	<1 $\mu\text{F}/\text{cm}^2$	1000 000 μF (1 F/cm ²)	
Energy-density	<0.01 Wh/kg	<10 Wh/kg	100 Wh/kg
Power-density	<0.1 kW/kg	>1 kW/kg	0.1 kW/kg

Application Examples

In general Double-Layer Capacitors are applied for voltage support, for saving or for replacing conventional battery or charger solutions. The typical application is the quick supply of several 100A to 1000A in the direct current field.

Slip Control in Wind Power

In large-scale wind turbine systems, slip controllers are used to control the rotation speed by altering the angle of the rotor blades. The drives are mains-independent and if electrically controlled use the energy stored in batteries or double-layer capacitors. These storage devices have to meet stringent requirements. During winter time the temperatures in the wind tower top housing often reach around -40°C , and during summer time they may easily go up to more than $+60^\circ\text{C}$ during operation. The current of 200A necessary for the breakaway torque of e.g. a 3 kW motor presents big problems to batteries due to the ambient conditions described. Their short life time and frequently necessary maintenance renders them unsatisfactory. However, when properly dimensioned, modern SuperCap solutions enable a maintenance-free usage of the electrical storage device of minimum 10 years.

Start of Micro-Turbines, Fuel Cells or Diesel-Electric Generator working as Power Set

For micro-turbines driven with natural gas for generation of electrical energy on oil platforms, in part also for gas pumping stations, in sensible areas like hospitals and huge factories the use of SuperCap modules to replace conventional starter batteries (by experience needing replacement every 2 to 3 years) is the optimum choice. Usually about 300 kJ of electrical energy at a system voltage of 240V are needed for a turbine start-up time of 10 to 20 s.

When starting special micro-turbines or for bridging during start of a fuel cell working as emergency power supply, generally a few 100 kJ of electrical energy are required for a system start time of approx. 10 to 20 sec. The stored energy time is approximately 20 s. Due to the system voltage of 48V, 22 cells of 1200 F are cascaded in a

module to achieve the setpoint voltage in order to replace a battery block.

For start-up of generators for energy supply of autonomous telecommunication stations which are located decentrally in a tight network but supplied with fuel the new double-layer capacitors would provide a solution. Right now tests are run with 14V series connections (70 to 100 F) which should render a maintenance-free service. After three starting processes in a sequence their energy with 300 to 500A each flowing (depending on the size of the motor) is used up. The now running generator, however, immediately supplies them with electrical energy again.

Starting huge Railway, Naval or Truck Motors

The start of V16 or V24 cylinder motors (6000 kW), e.g. for generator drives of diesel-electric trains or start of a naval diesel engine requires considerably high currents. 1300A are quite usual which can be covered by capacitor units of 450 to 600 F at 28 V. Frequently the crankshaft is turned by two starters on both sides (e.g. 7 kW each with a positive switch off after 9 s for 2 min), in order to avoid torsion of the huge mass. The low total internal resistance of less than $3\text{ m}\Omega$ which is beyond reach for batteries the capacitor solution is outstanding.

Recuperation of Braking Energy

In times of resource shortage of fuel the highest possible recuperation of braking energy is a challenging aim. While recuperation in electric train drives or in hybrid busses is already practiced since long, for non-mains connected vehicles the energy recuperation to the on-board battery has only be realized to the extent of few per cent. The basic reason is the charge current limitation of batteries where the recuperable energy is obtained at very high currents in a scope of milliseconds. If for example 1 ton shall be decelerated from 100 km/h to 0 km/h 400 kJ are released, for 10 tons it is ten times as much. So far no suitable high-energy storage devices were available (guideline values: 500A to 1000A). This is the domain of the new SuperCaps since in the foreseeable future even most modern battery systems will not be in a position to cope with such energy.



A WIMA part number consists of 18 digits and is composed as follows:

- Field 1 - 4: Type description
- Field 5 - 6: Rated voltage
- Field 7 - 10: Capacitance
- Field 11 - 12: Size and PCM
- Field 13 - 14: Special features (e.g. Snubber versions)
- Field 15: Capacitance tolerance
- Field 16: Packing
- Field 17 - 18: Lead length (untaped)

1	2	3	4	5	6	7	8	9	10	11	12	13	14	15	16	17	18
M	K	S	2	C	0	2	1	0	0	1	A	0	0	M	S	S	D
MKS 2				63 VDC		0.01 µF			2.5x6.5x7.2		-		20%	bulk	6 -2		

<p>Type description:</p> <p>SMD-PET = SMDT SMD-PPS = SMDI FKP 02 = FKP0 MKS 02 = MKS0 FKS 2 = FKS2 FKP 2 = FKP2 MKS 2 = MKS2 MKP 2 = MKP2 FKS 3 = FKS3 FKP 3 = FKP3 MKS 4 = MKS4 MKP 4 = MKP4 MKP 10 = MKP1 FKP 4 = FKP4 FKP 1 = FKP1 MKP-X2 = MKX2 MKP-X2 R = MKXR MKP-Y2 = MKY2 MP 3-X2 = MPX2 MP 3-X1 = MPX1 MP 3-Y2 = MPY2 MP 3R-Y2 = MPRY Snubber MKP = SNMP Snubber FKP = SNFP GTO MKP = GTOM DC-LINK MKP 4 = DCP4 DC-LINK MKP 5 = DCP5 DC-LINK MKP 6 = DCP6 DC-LINK HC = DCH_ SuperCap C = SCSC SuperCap MC = SCMC SuperCap R = SCSR SuperCap MR = SCMR</p>	<p>Rated voltage:</p> <p>2.5 VDC = A1 4 VDC = A2 14 VDC = A3 28 VDC = A4 40 VDC = A5 5 VDC = A6 50 VDC = B0 63 VDC = C0 100 VDC = D0 160 VDC = E0 250 VDC = F0 400 VDC = G0 450 VDC = H0 600 VDC = I0 630 VDC = J0 700 VDC = K0 800 VDC = L0 850 VDC = M0 900 VDC = N0 1000 VDC = O1 1100 VDC = P0 1200 VDC = Q0 1250 VDC = R0 1500 VDC = S0 1600 VDC = T0 2000 VDC = U0 2500 VDC = V0 3000 VDC = W0 4000 VDC = X0 6000 VDC = Y0 250 VAC = 0W 275 VAC = 1W 300 VAC = 2W 400 VAC = 3W 440 VAC = 4W 500 VAC = 5W</p>	<p>Capacitance:</p> <p>22 pF = 0022 47 pF = 0047 100 pF = 0100 150 pF = 0150 220 pF = 0220 330 pF = 0330 470 pF = 0470 680 pF = 0680 1000 pF = 1100 1500 pF = 1150 2200 pF = 1220 3300 pF = 1330 4700 pF = 1470 6800 pF = 1680 0.01 µF = 2100 0.022 µF = 2220 0.047 µF = 2470 0.1 µF = 3100 0.22 µF = 3220 0.47 µF = 3470 1 µF = 4100 2.2 µF = 4220 4.7 µF = 4470 10 µF = 5100 22 µF = 5220 47 µF = 5470 100 µF = 6100 220 µF = 6220 1 F = A010 2.5 F = A025 50 F = A500 100 F = B100 110 F = B110 600 F = B600 1200 F = C120 ...</p>	<p>Size:</p> <p>4.8x3.3x3 Size 1812 = X1 4.8x3.3x4 Size 1812 = X2 5.7x5.1x3.5 Size 2220 = Y1 5.7x5.1x4.5 Size 2220 = Y2 7.2x6.1x3 Size 2824 = T1 7.2x6.1x5 Size 2824 = T2 10.2x7.6x5 Size 4030 = K1 12.7x10.2x6 Size 5040 = V1 15.3x13.7x7 Size 6054 = Q1 2.5x7x4.6 PCM 2.5 = 0B 3x7.5x4.6 PCM 2.5 = 0C 2.5x6.5x7.2 PCM 5 = 1A 3x7.5x7.2 PCM 5 = 1B 2.5x7x10 PCM 7.5 = 2A 3x8.5x10 PCM 7.5 = 2B 3x9x13 PCM 10 = 3A 4x9x13 PCM 10 = 3C 5x11x18 PCM 15 = 4B 6x12.5x18 PCM 15 = 4C 5x14x26.5 PCM 22.5 = 5A 6x15x26.5 PCM 22.5 = 5B 9x19x31.5 PCM 27.5 = 6A 11x21x31.5 PCM 27.5 = 6B 9x19x41.5 PCM 37.5 = 7A 11x22x41.5 PCM 37.5 = 7B 94x49x182 DCH_ = H0 94x77x182 DCH_ = H1 ...</p> <p>Special features:</p> <p>Standard = 00 Version A1 = 1A Version A1.1.1 = 1B Version A1.2 = 1C ...</p>	<p>Tolerance:</p> <p>20% = M 10% = K 5% = J 2.5% = H 1% = E ...</p> <p>Packing:</p> <p>AMMO H16.5 340x340 = A AMMO H16.5 490x370 = B AMMO H18.5 340x340 = C AMMO H18.5 490x370 = D REEL H16.5 360 = F REEL H16.5 500 = H REEL H18.5 360 = I REEL H18.5 500 = J ROLL H16.5 = N ROLL H18.5 = O BLISTER W12 180 = P BLISTER W12 330 = Q BLISTER W16 330 = R BLISTER W24 330 = T Bulk Mini = M Bulk Standard = S Bulk Maxi = G TPS Mini = X TPS Standard = Y ...</p> <p>Lead length (untaped)</p> <p>3.5 ±0.5 = C9 6 -2 = SD 16 ±1 = P1 ...</p>
---	--	---	--	---

The data on this page is not complete and serves only to explain the part number system. Part number information is listed on the pages of the respective WIMA range.