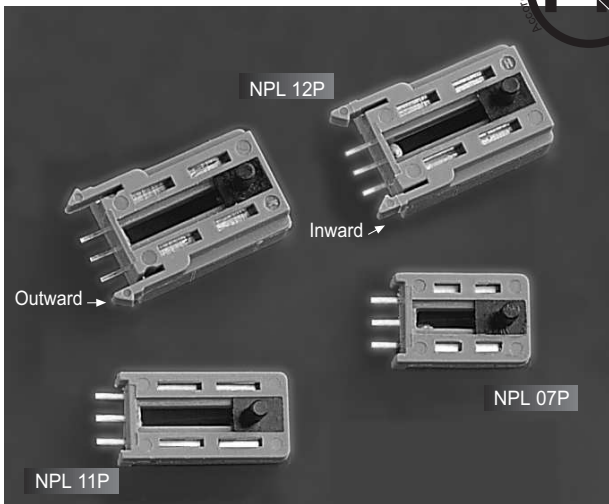




# NPL Linear Position Sensor



## FEATURES

- High reliability
- Simple construction (only 3 component parts)
- Over-moulding manufacturing technique
- Plastic or metal clip versions available
- Various fixation means: clip type (inward/outward actuating), locating pins,...

## TYPICAL APPLICATIONS

Provides a low cost, highly reliable solution for all position sensing applications:

- Automotive seat position memory, central locking, headlamp position and rear-view mirror position sensors.

## MECHANICAL SPECIFICATIONS

Mechanical travel:

- NPL07.....7,25mm
- NPL08.....8mm
- NPL11.....11mm
- NPL12.....12mm

Electrical travel: (see how to order)

Sliding force: ≤ 2N @ 10mm/sec

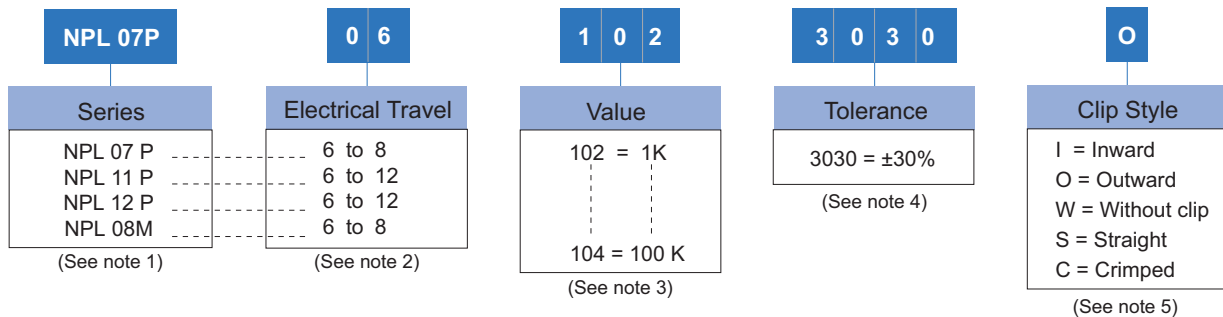
Stop strength: 30N for 5 secs

## ELECTRICAL SPECIFICATIONS

Range of values:	1K to 100K ohms
Tolerance:	± 30%
Max. voltage*:	50 VDC to 100 VDC
Power rating*:	0.20 W @ 50°C
Operating temperature:	-40°C to +105°C
Taper**:	Linear
Relative linearity**:	± 2%
Mechanical Life:	50k cycles

\* Depending on model \*\* Others upon request

## HOW TO ORDER

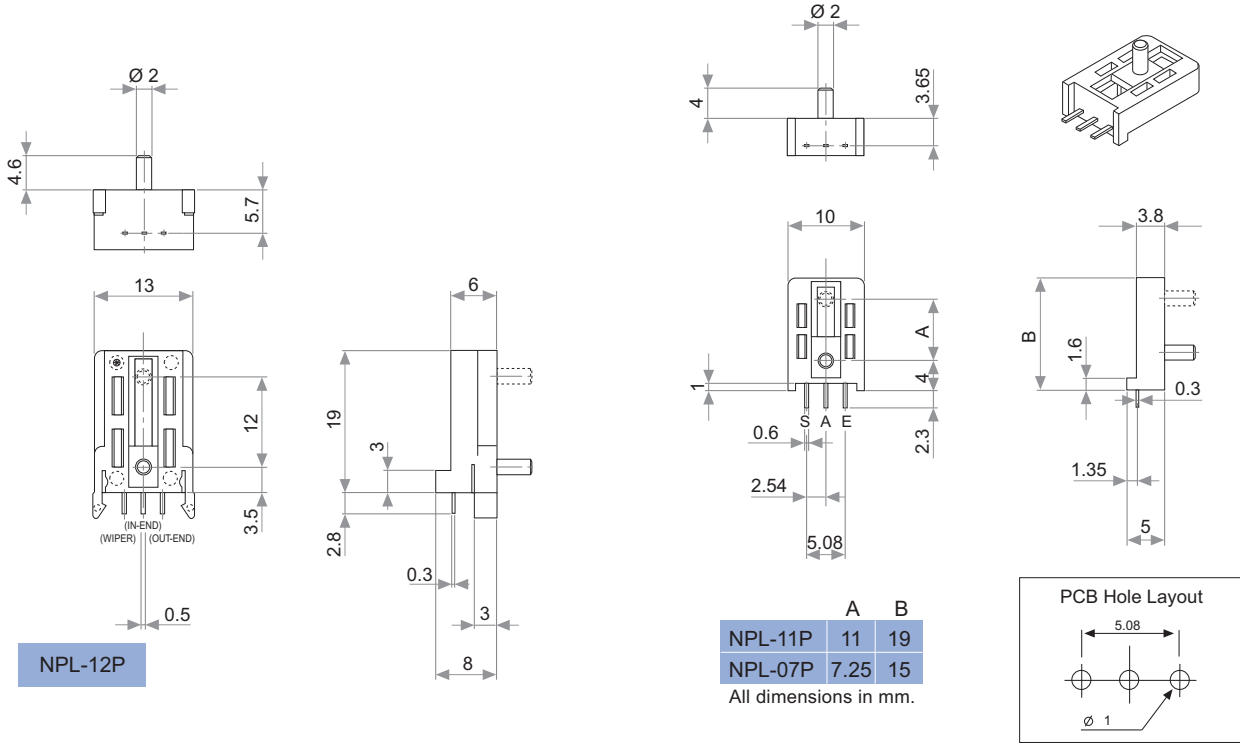


### NOTES:

- (1) Suffixes: P = Plastic, M= Metal
- (2) Each NPL series has its own Electrical Travel range as shown.
- (3) Value Example: Code: 10 2 → 1kΩ  
Number of zeros  
First two digits of the value.
- (4) Non standard tolerance, upon request. Example: +25% Code: 25 20  
-20% → negative tolerance  
positive tolerance
- (5) S and C options only available for NPL08M (metal version)  
W option only available for NPL07P and NPL11P  
I and O options only available for NPL12P

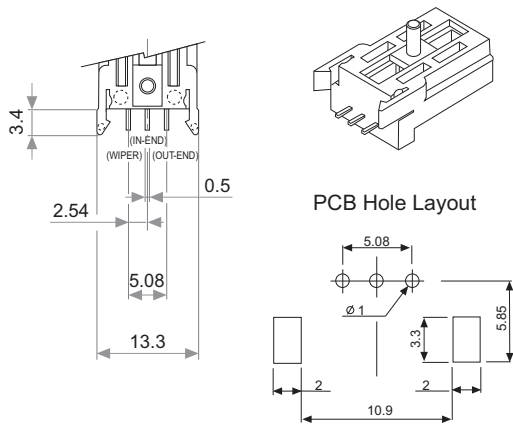
NOTE: The information contained here should be used for reference purposes only.  
This project has been financially supported by the Spanish Technological Development Institute (CDTI).

# PLASTIC VERSIONS

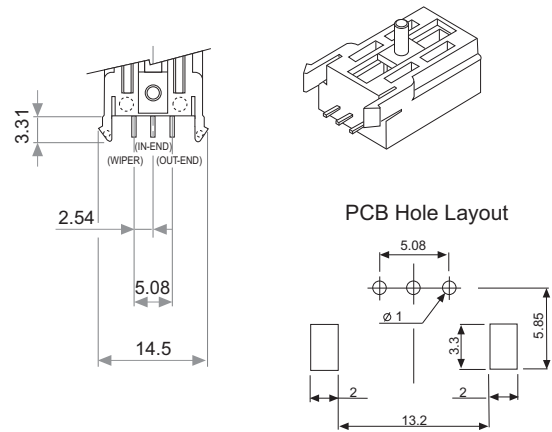


## CLIP STYLE DETAILS (FOR NPL12P)

### INWARD FACING CLIPS

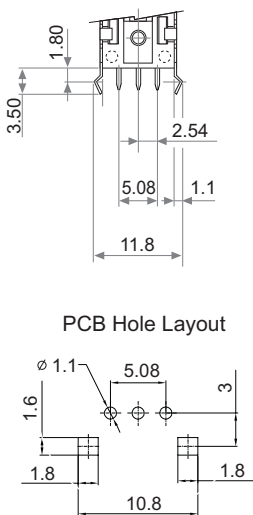


### OUTWARD FACING CLIPS



## METAL VERSION (NPL08M)

### CRIMPED



### STRAIGHT

